



US009732482B2

(12) **United States Patent**
Groeneweg

(10) **Patent No.:** **US 9,732,482 B2**

(45) **Date of Patent:** **Aug. 15, 2017**

(54) **MOBILE BARRIER**

(71) Applicant: **Concaten, Inc.**, Golden, CO (US)

(72) Inventor: **Kevin K. Groeneweg**, Golden, CO (US)

(73) Assignee: **Concaten, Inc.**, Golden, CO (US)

(*) Notice: Subject to any disclaimer, the term of this patent is extended or adjusted under 35 U.S.C. 154(b) by 0 days.

(21) Appl. No.: **14/281,742**

(22) Filed: **May 19, 2014**

(65) **Prior Publication Data**

US 2015/0016881 A1 Jan. 15, 2015

Related U.S. Application Data

(63) Continuation of application No. 12/962,360, filed on Dec. 7, 2010, now Pat. No. 8,740,241.

(Continued)

(51) **Int. Cl.**

E01F 13/00 (2006.01)
E01F 13/02 (2006.01)
B60P 3/00 (2006.01)
E01F 15/00 (2006.01)
F41H 5/18 (2006.01)
F41H 5/20 (2006.01)
F41H 5/24 (2006.01)
F41H 11/00 (2006.01)

(Continued)

(52) **U.S. Cl.**

CPC **E01F 13/022** (2013.01); **B60P 3/00** (2013.01); **E01F 15/00** (2013.01); **F41H 5/18** (2013.01); **F41H 5/20** (2013.01); **F41H 5/24** (2013.01); **F41H 11/00** (2013.01); **F41H 11/12** (2013.01); **F41H 11/13** (2013.01); **F41H 13/00** (2013.01)

(58) **Field of Classification Search**

CPC E01F 13/022; E01F 15/00; B60P 3/00

USPC 280/423.1

See application file for complete search history.

(56) **References Cited**

U.S. PATENT DOCUMENTS

431,657 A 7/1890 Hale
2,800,086 A * 7/1957 Wike B60F 1/00
105/159

(Continued)

FOREIGN PATENT DOCUMENTS

DE 806760 6/1951
GB 860338 2/1961
WO WO 93/12300 6/1993

OTHER PUBLICATIONS

International Preliminary Report on Patentability for PCT Application No. PCT/US08/88668, mailed Dec. 23, 2010.

(Continued)

Primary Examiner — Tony Winner

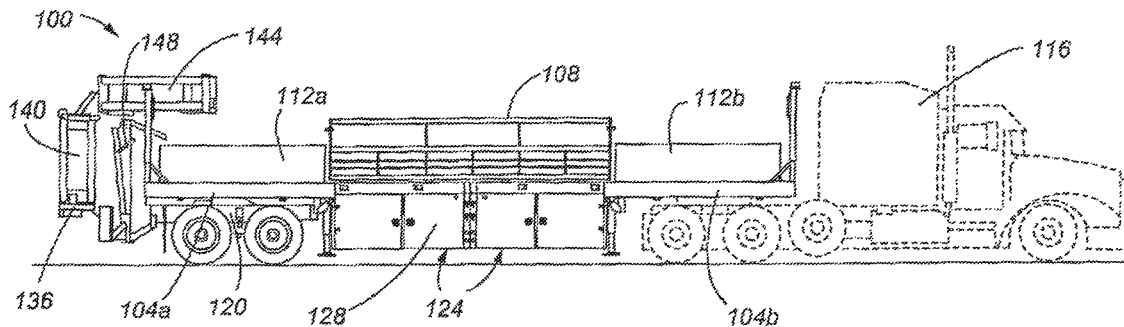
Assistant Examiner — Michael Stabley

(74) *Attorney, Agent, or Firm* — Carl A. Hjort, III

(57) **ABSTRACT**

In one embodiment, a safety trailer has semi-tractor hitches at both ends and a safety wall that is fixed to one side of the trailer. That side, however, can be changed to the right or left side of the road, depending on the end to which the truck attaches. A caboose can be attached at the end of the trailer opposite the tractor to provide additional lighting and impact protection. Optionally, the trailer can be equipped with overhead protection, lighting, ventilation, onboard hydraulics, compressors, generators and other equipment, as well as related fuel, water, storage and restroom facilities and other amenities.

12 Claims, 30 Drawing Sheets



Related U.S. Application Data

(60) Provisional application No. 61/368,952, filed on Jul. 29, 2010, provisional application No. 61/267,335, filed on Dec. 7, 2009.

(51) **Int. Cl.**
F41H 11/12 (2011.01)
F41H 11/13 (2011.01)
F41H 13/00 (2006.01)

(56) **References Cited**

U.S. PATENT DOCUMENTS

2,841,094 A * 7/1958 Schumacher B61D 3/184
 220/1.5

3,120,398 A 2/1964 Butterworth
 3,326,099 A 6/1967 Cova et al.
 3,734,540 A 5/1973 Thiermann
 3,774,940 A 11/1973 Merritts
 3,952,453 A 4/1976 Amburgey
 3,990,532 A 11/1976 Robinson
 4,017,200 A 4/1977 Woods, Jr.
 4,060,255 A 11/1977 Zimmermann
 4,087,785 A 5/1978 Dodich
 4,240,647 A 12/1980 Lewis
 4,385,771 A 5/1983 Eckels
 4,406,563 A 9/1983 Urlberger
 4,600,178 A 7/1986 Zucker et al.
 4,601,509 A 7/1986 Ellis, Sr.
 4,624,601 A 11/1986 Quittner
 4,650,205 A * 3/1987 Jarlsson B62D 53/0864
 280/408

4,666,332 A * 5/1987 Burgett E01F 15/006
 404/12

4,681,302 A 7/1987 Thompson
 4,729,486 A 3/1988 Petzold et al.
 4,773,629 A 9/1988 Yoduck
 4,869,617 A 9/1989 Chiodo
 4,946,306 A 8/1990 Yoduck
 5,007,763 A 4/1991 Burgett
 5,011,325 A 4/1991 Antonioli
 5,033,905 A 7/1991 Schmidt et al.
 5,057,820 A 10/1991 Markson et al.
 5,088,874 A 2/1992 Quittner
 5,101,927 A 4/1992 Murtuza
 5,104,254 A 4/1992 Durand
 5,104,255 A 4/1992 Bodensohn
 5,123,773 A 6/1992 Yoduck
 5,208,585 A 5/1993 Sprague
 5,286,136 A 2/1994 Mandish et al.
 5,292,467 A 3/1994 Mandish et al.
 5,336,016 A 8/1994 Baatz
 5,387,049 A 2/1995 Duckett
 5,402,988 A * 4/1995 Eisele E01F 9/0182
 160/351

5,425,594 A 6/1995 Krage et al.
 5,480,255 A 1/1996 Bernaquez et al.
 5,498,101 A 3/1996 Braverman
 5,531,540 A 7/1996 Wasserstrom et al.
 5,611,641 A 3/1997 Christensen
 5,688,071 A 11/1997 Owen
 5,826,136 A * 10/1998 Saiko G03G 15/0849
 399/49

5,836,714 A 11/1998 Christensen

5,947,452 A 9/1999 Albritton
 5,988,934 A 11/1999 Wasserstrom
 6,098,767 A 8/2000 Unrath
 6,183,042 B1 * 2/2001 Unrath E01F 9/014
 293/118

6,213,047 B1 4/2001 Means et al.
 6,220,780 B1 4/2001 Schindler et al.
 6,231,065 B1 5/2001 Brown
 6,349,517 B1 2/2002 Manley et al.
 6,371,505 B1 4/2002 Turner, II
 6,409,417 B1 6/2002 Muller et al.
 6,450,522 B1 9/2002 Yamada et al.
 6,523,872 B2 2/2003 Breed
 6,565,108 B1 * 5/2003 Gearhart B62D 53/0878
 280/432

6,581,992 B1 6/2003 Gertz
 6,669,402 B1 12/2003 Davis et al.
 6,832,870 B1 * 12/2004 Krivoy E01F 15/006
 404/6

6,863,468 B2 3/2005 Davis et al.
 6,926,461 B1 8/2005 Faller et al.
 6,942,263 B2 9/2005 Welch et al.
 7,125,198 B2 10/2006 Schiefferly et al.
 7,354,218 B1 4/2008 Dyke et al.
 7,410,321 B1 8/2008 Schiefferly et al.
 7,572,022 B2 * 8/2009 Groeneweg B60P 3/00
 280/404

7,901,117 B2 3/2011 Groeneweg
 2005/0135878 A1 * 6/2005 McNally E01F 13/022
 404/6

2005/0269835 A1 * 12/2005 Nelson B62D 33/0276
 296/186.2

2006/0044816 A1 3/2006 Groeneweg
 2007/0012534 A1 1/2007 Murphy
 2008/0142059 A1 * 6/2008 Bonebrake E04B 1/3444
 135/88.1

2009/0166998 A1 * 7/2009 Groeneweg E01F 9/0126
 280/408

2009/0290324 A1 * 11/2009 Groeneweg B60P 3/00
 362/23.15

2009/0311044 A1 * 12/2009 Groeneweg E01F 9/0126
 404/6

2010/0101156 A1 * 4/2010 Holroyd E01F 13/022
 52/79.5

2010/0219611 A1 9/2010 Groeneweg
 2011/0163517 A1 7/2011 Groeneweg

OTHER PUBLICATIONS

International Search Report for PCT Application No. PCT/US08/88668, mailed Jun. 1, 2009.
 Written Opinion for PCT Application No. PCT/US08/88668, mailed Jun. 1, 2009.
 U.S. Appl. No. 12/347,458, filed Dec. 31, 2008, Groeneweg.
 Texas Transportation Institute, "Development of Functional Requirements for a Highly-Mobile Barrier System to Protect Highway Workers: Interim Report—Draft", May 2004, pp. 1-45.
 Beason, et al., "Development of a Truck-Mounted Portable Maintenance Barrier", Research Report No. 262-5, Research Study No. 2-18-79-262, Safety Devices for Highway Work Zones, Texas Transportation Institute, Apr. 1984, pp. 1-82.
 Background of the above-referenced Application (previously provided).

* cited by examiner

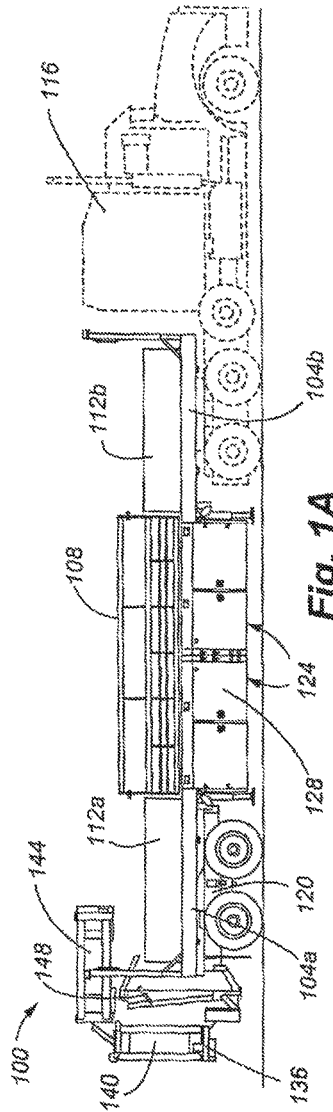


Fig. 1A

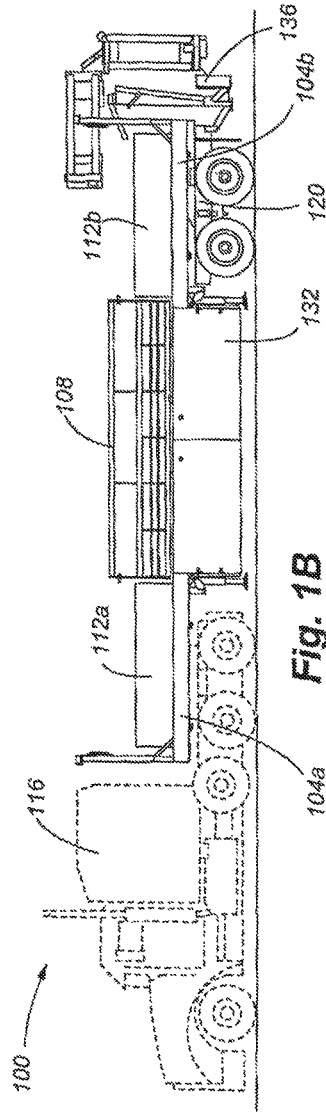


Fig. 1B

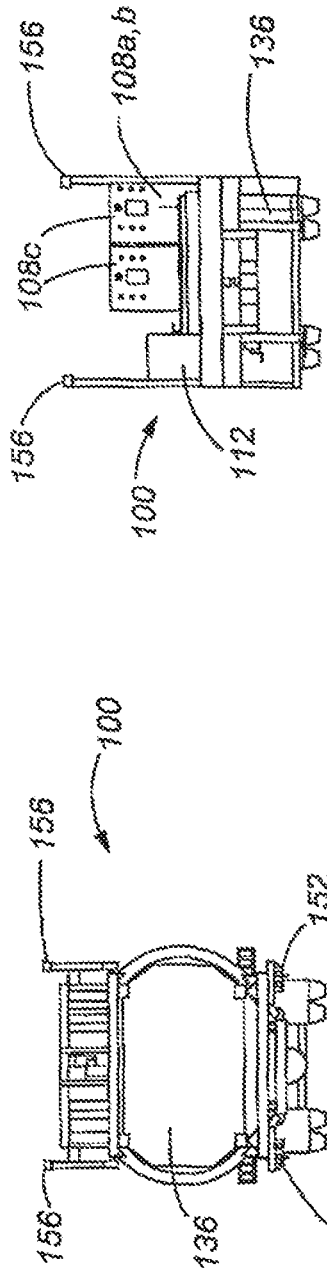


Fig. 1D

Fig. 1C

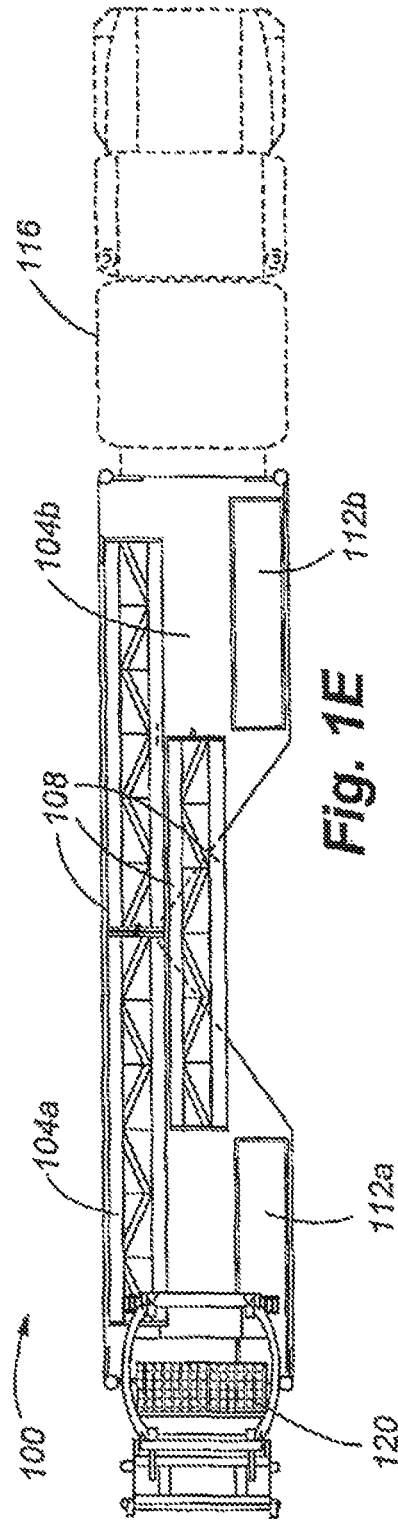
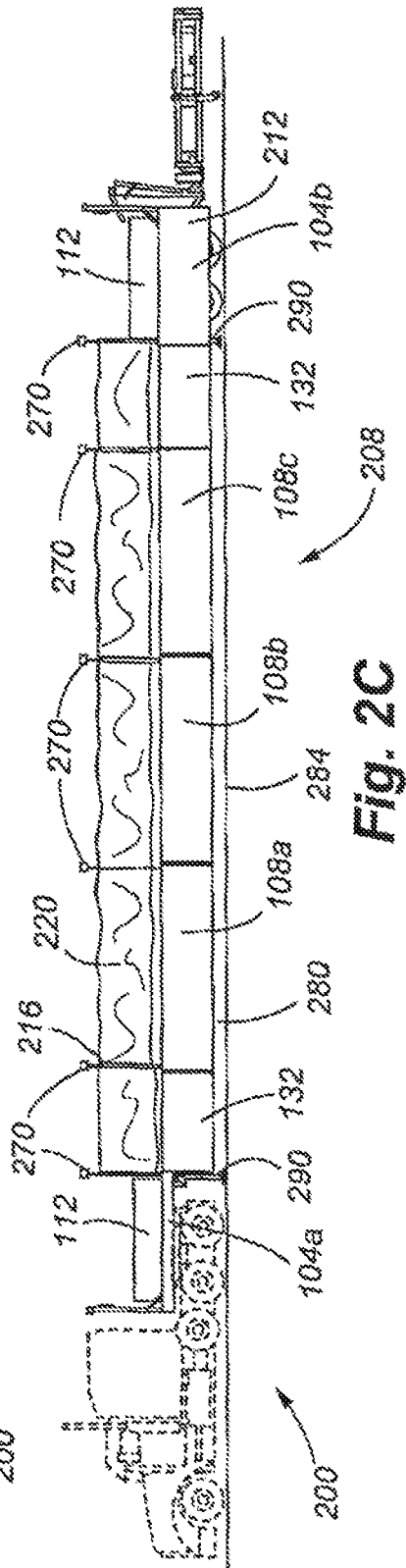
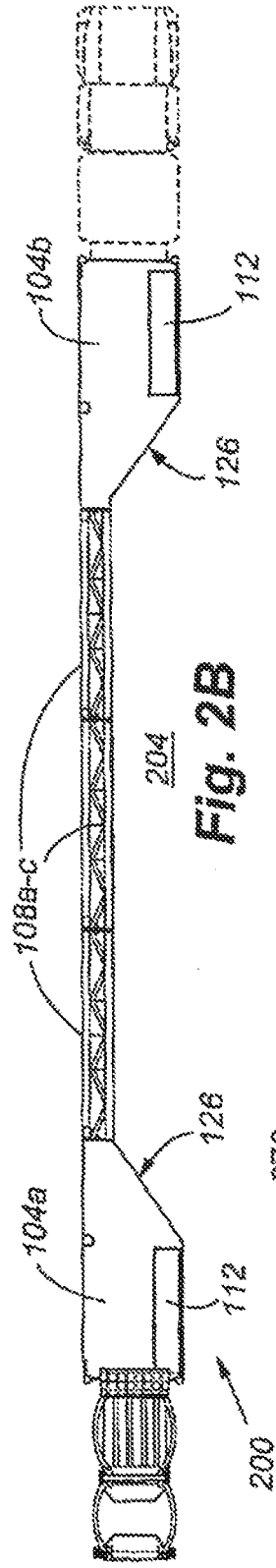
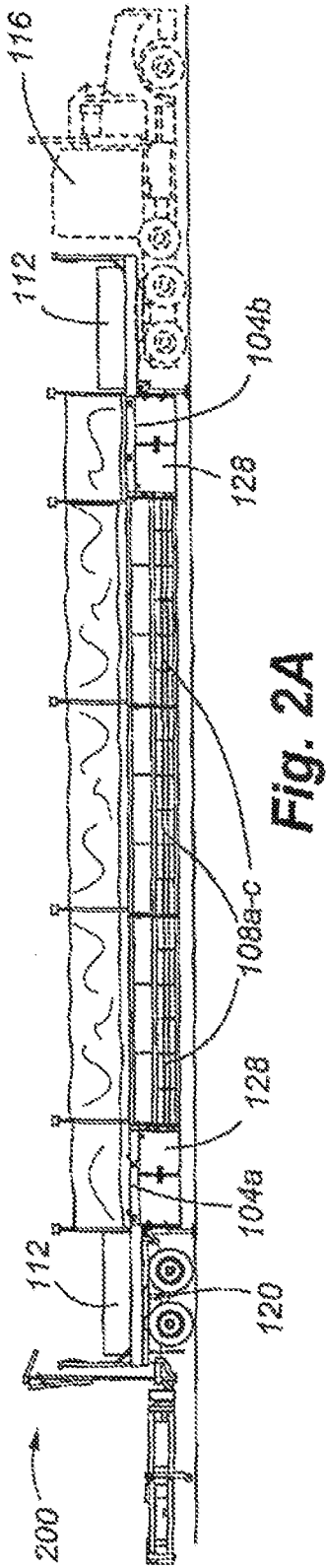
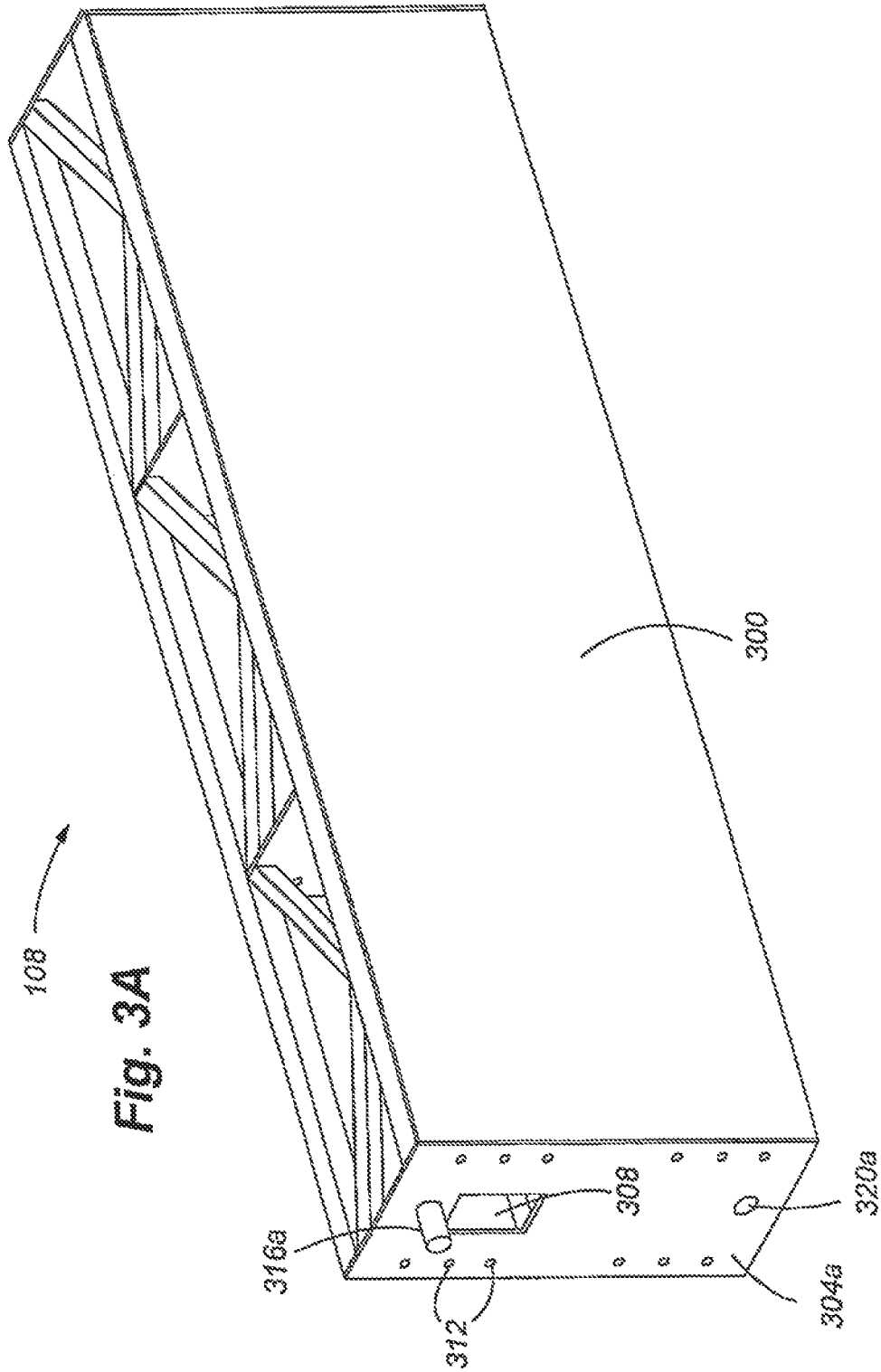


Fig. 1E





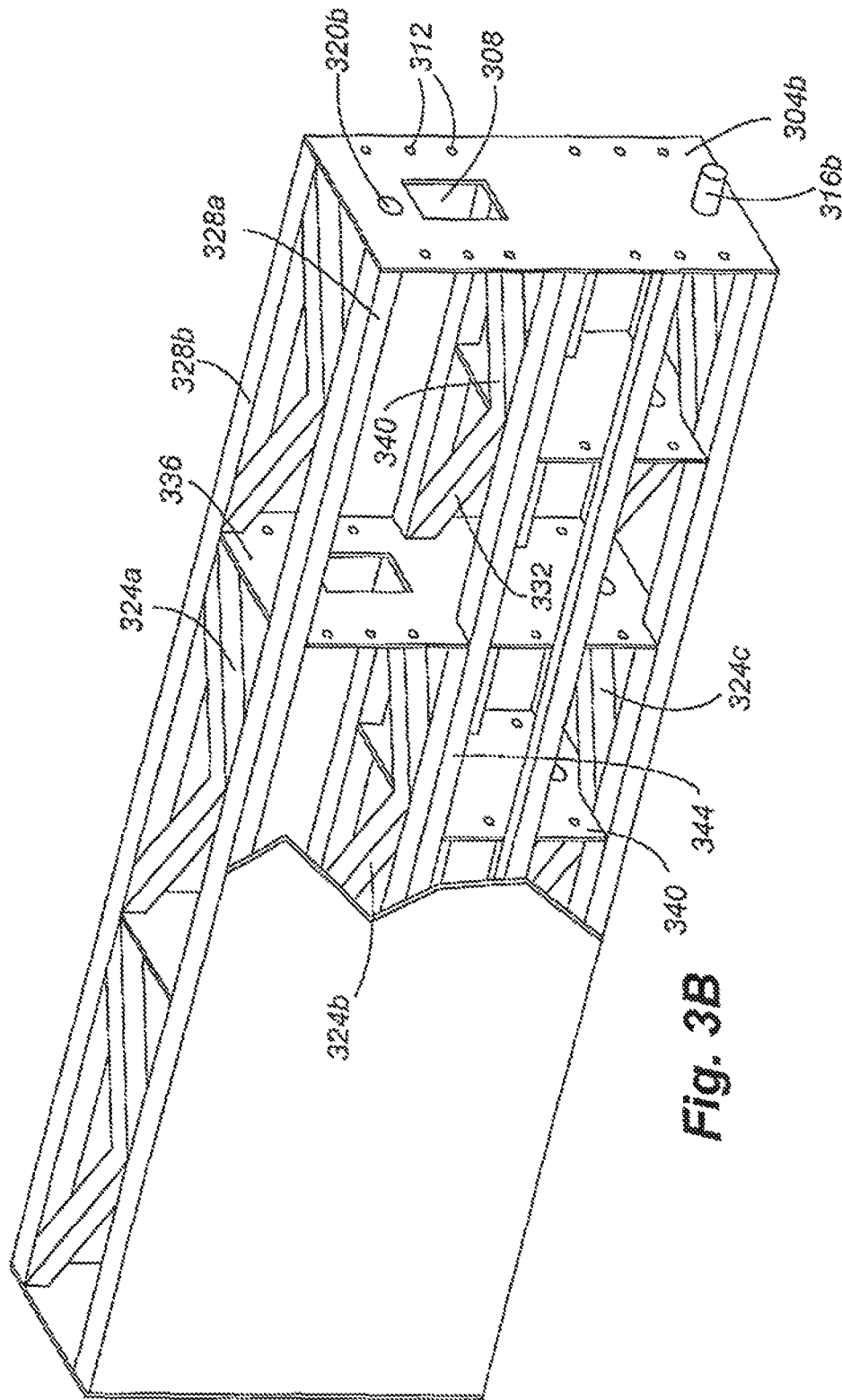


Fig. 3B

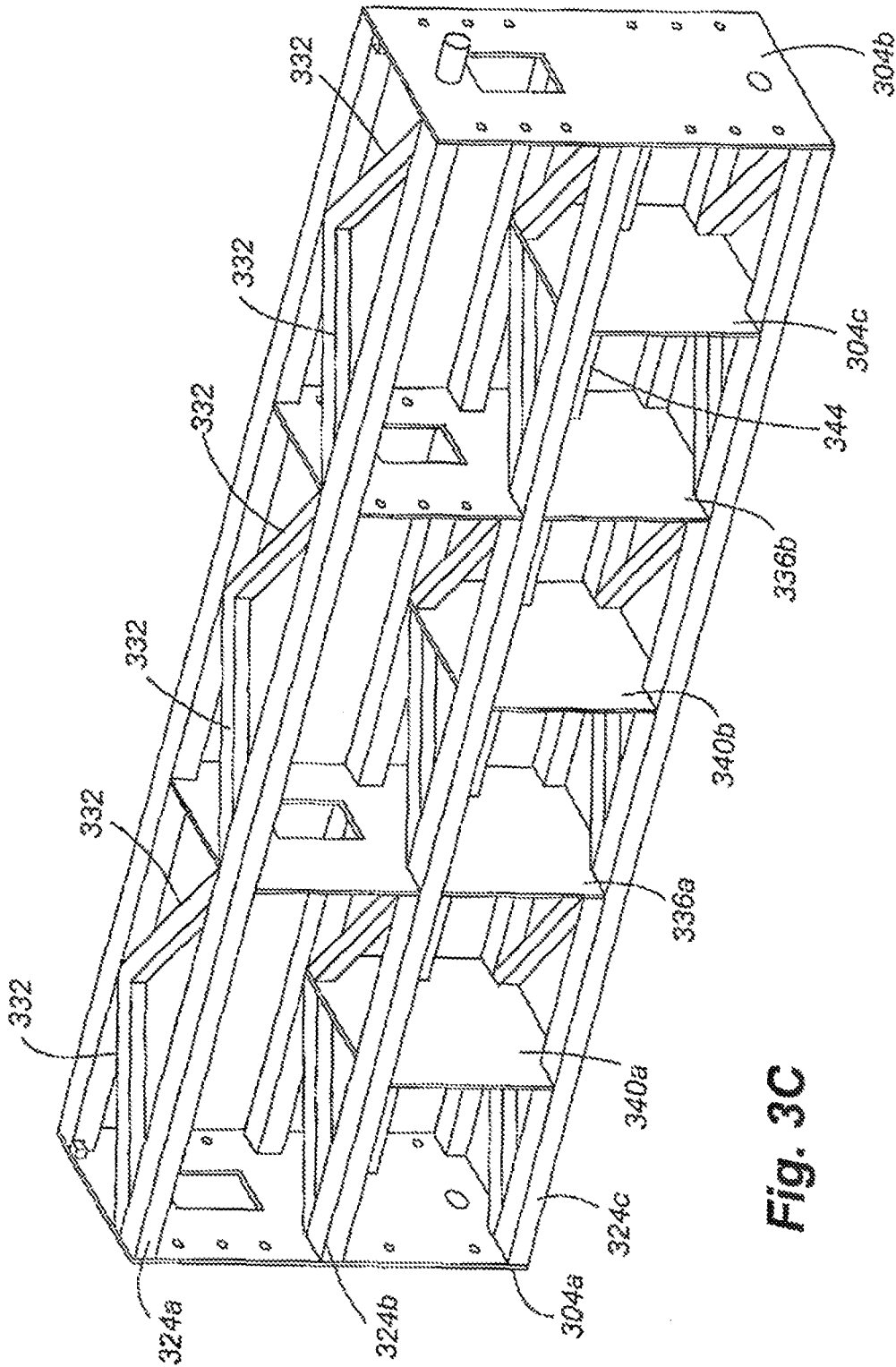


Fig. 3C

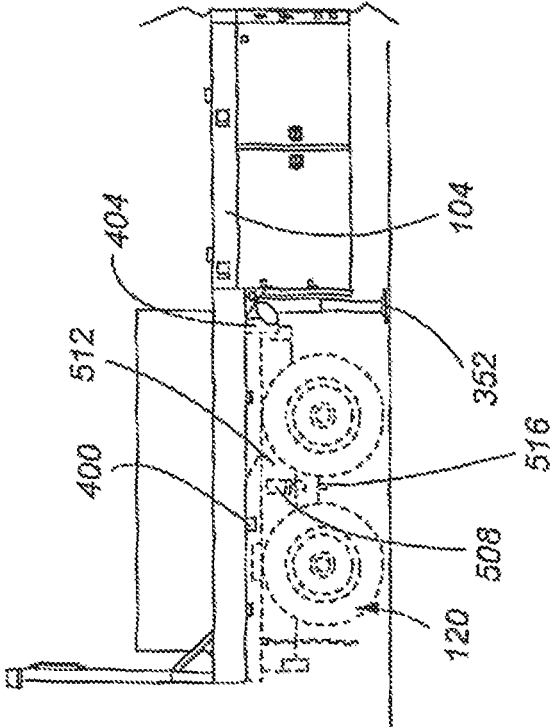
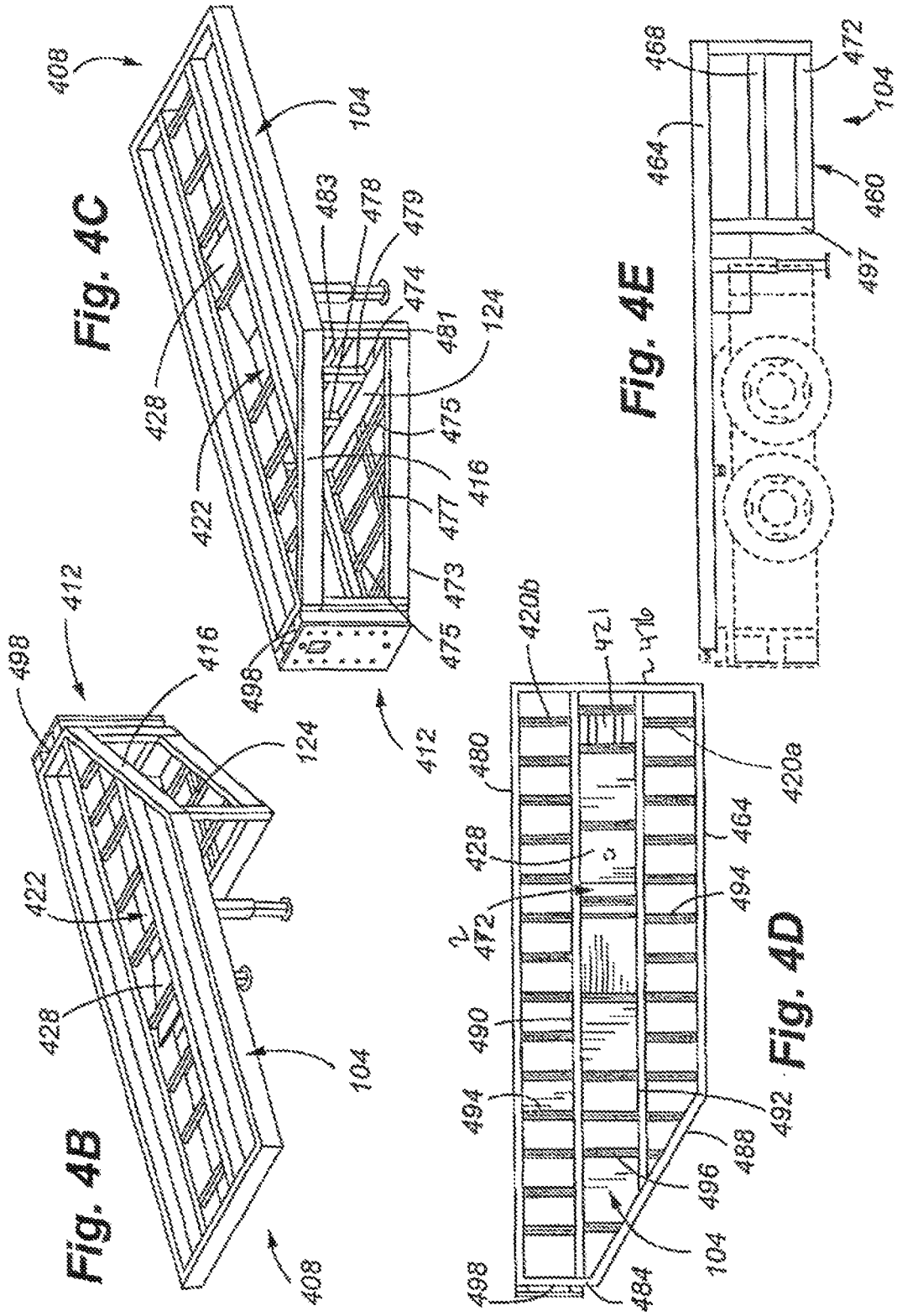


Fig. 4A



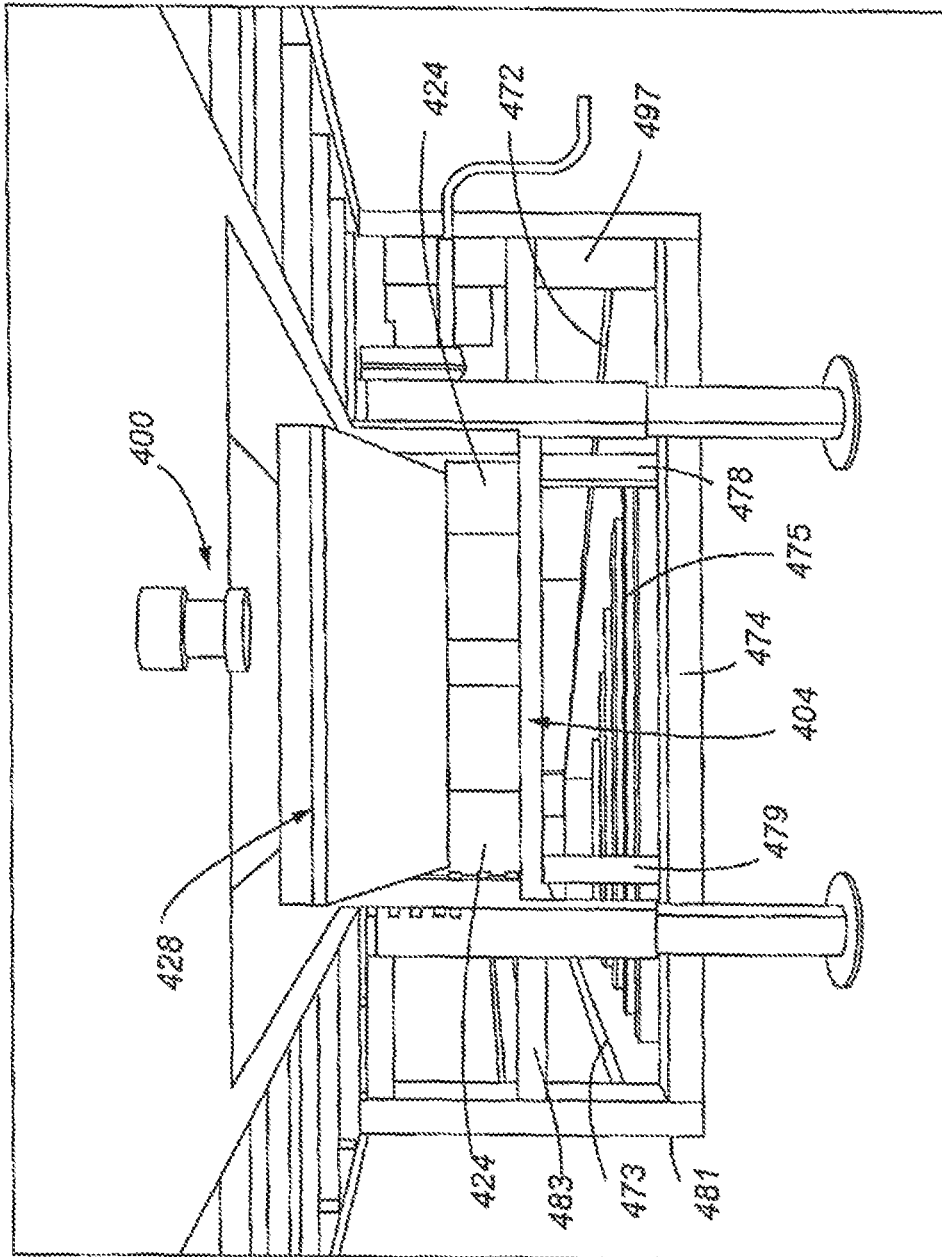


Fig. 4F

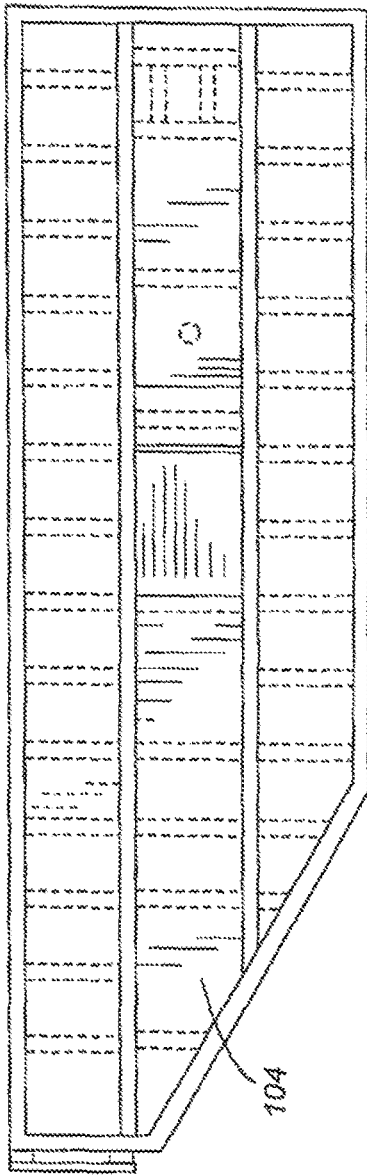


Fig. 4G

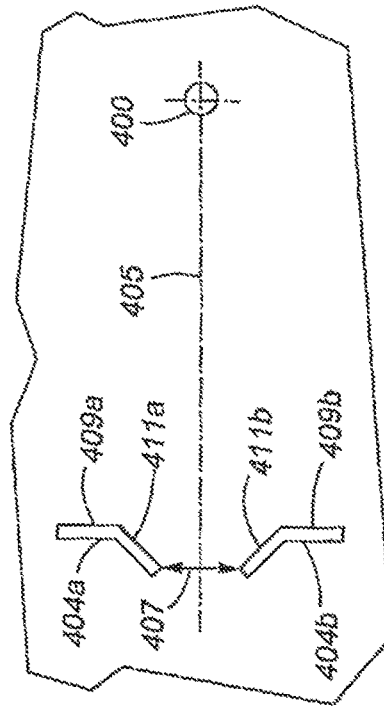
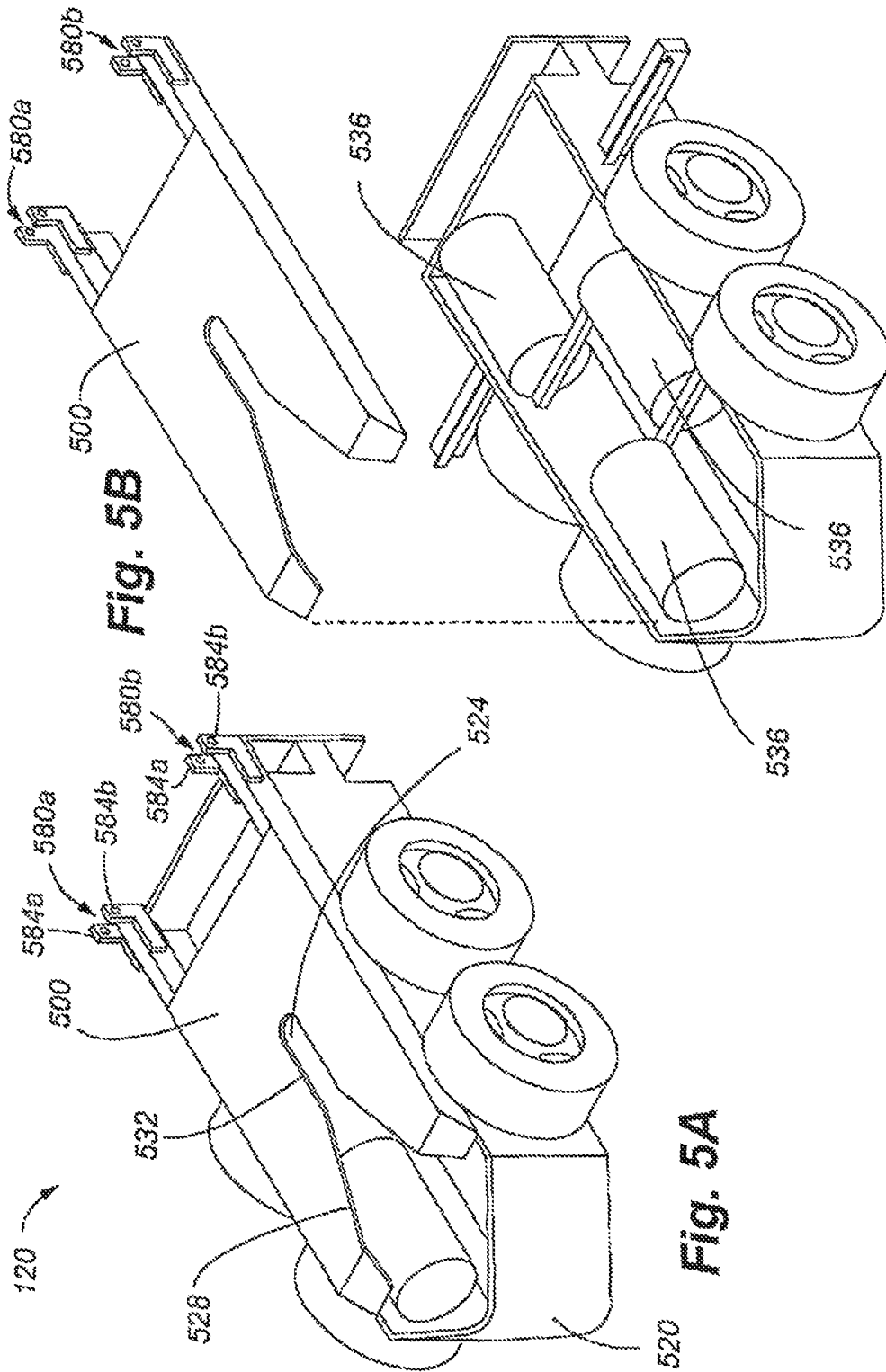
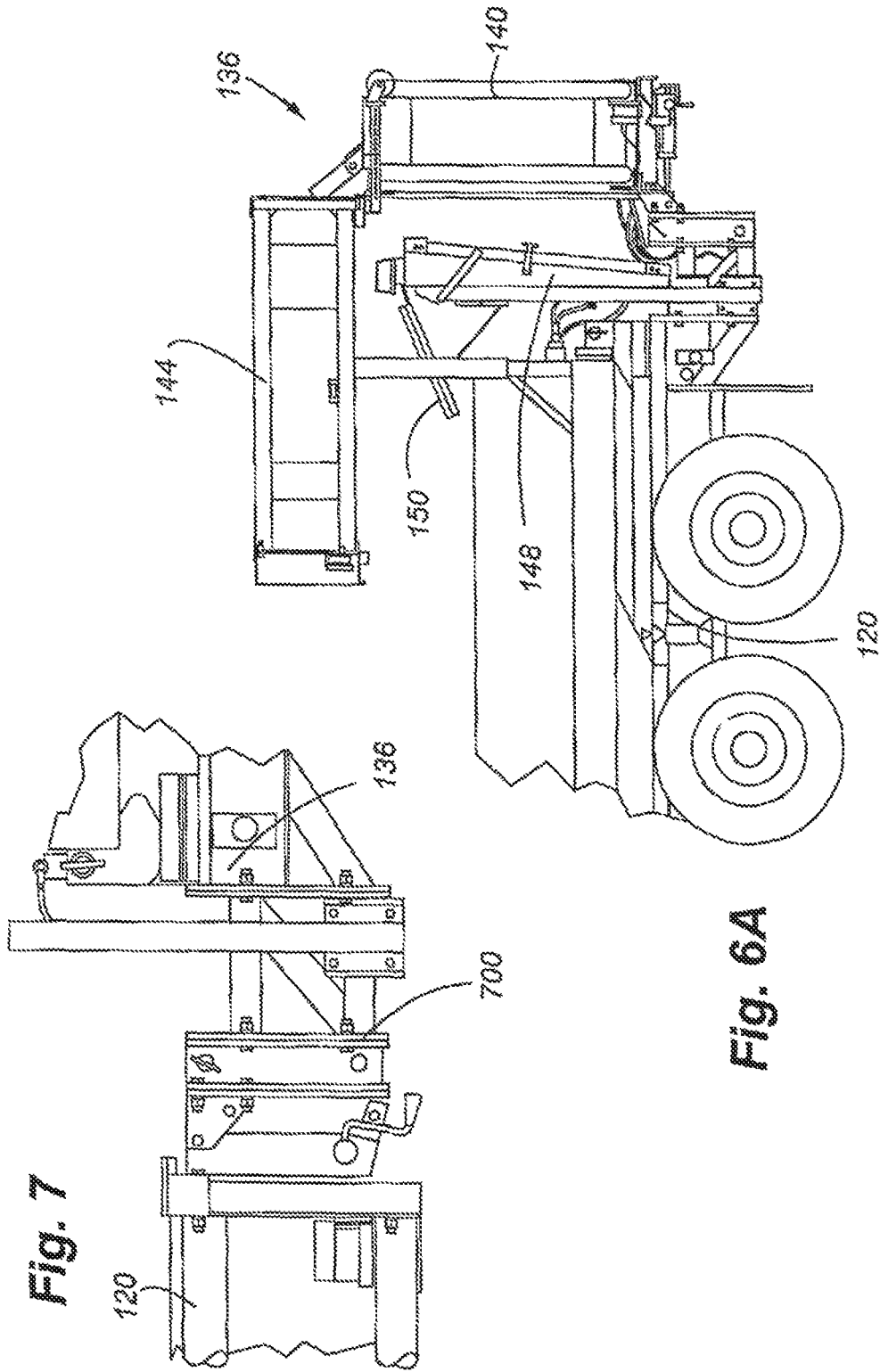


Fig. 4H





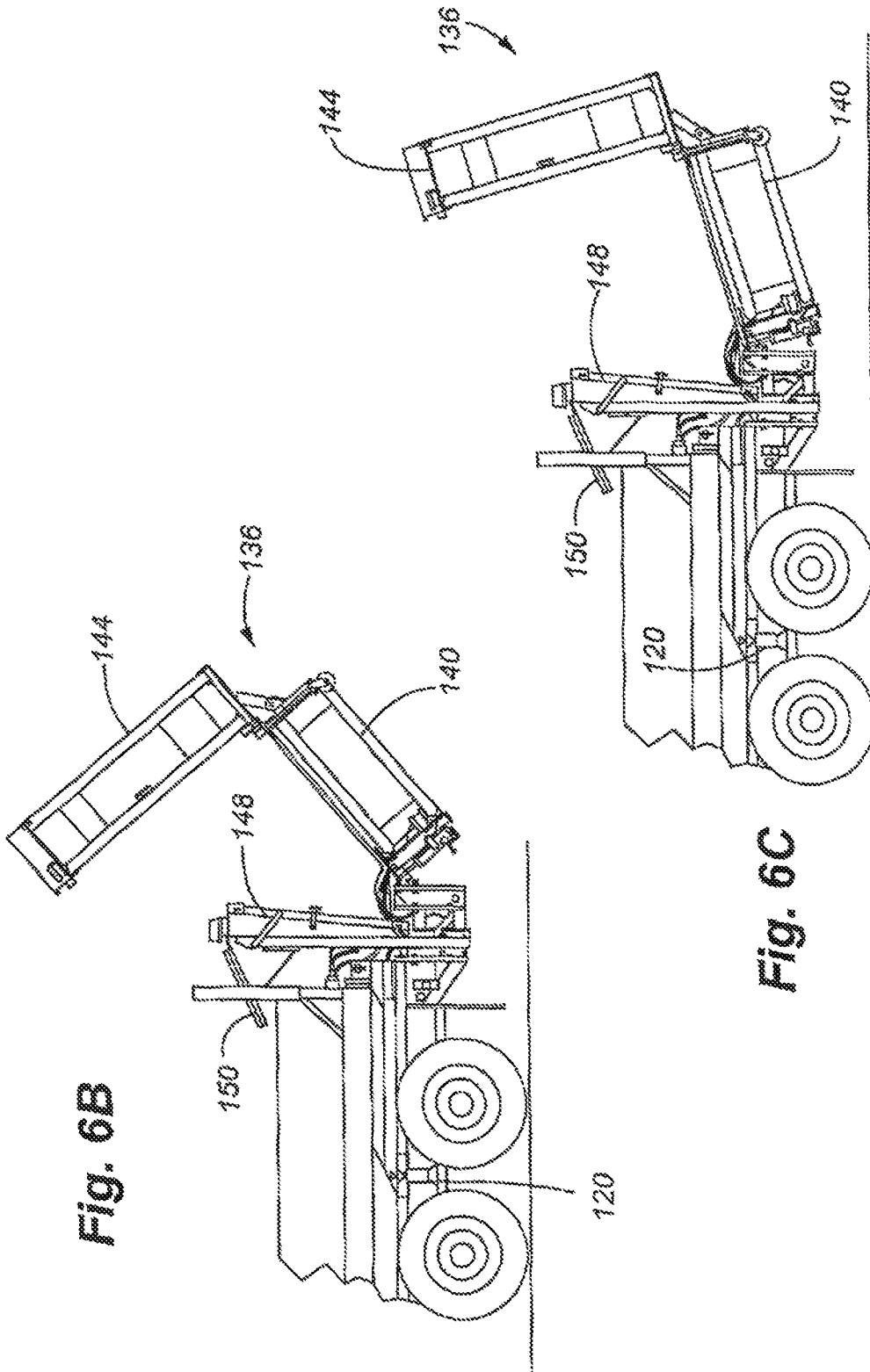


Fig. 6B

Fig. 6C

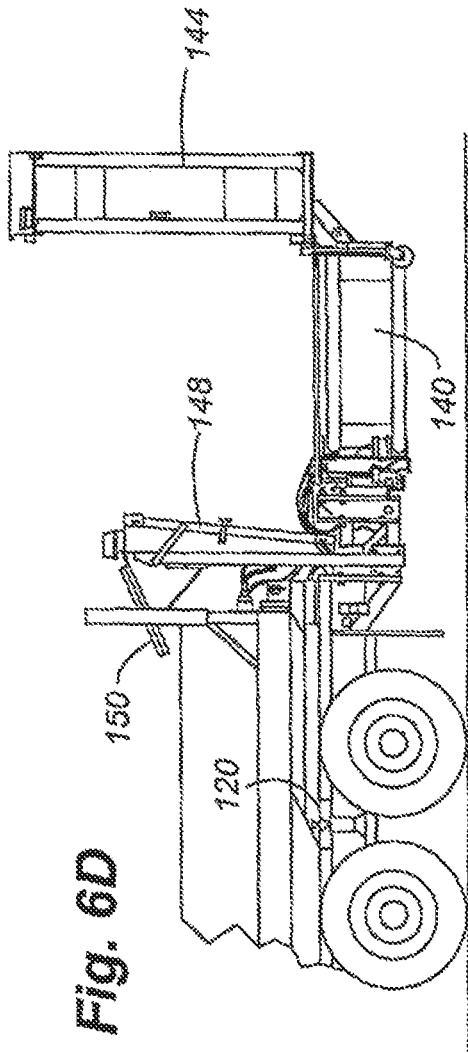


Fig. 6D

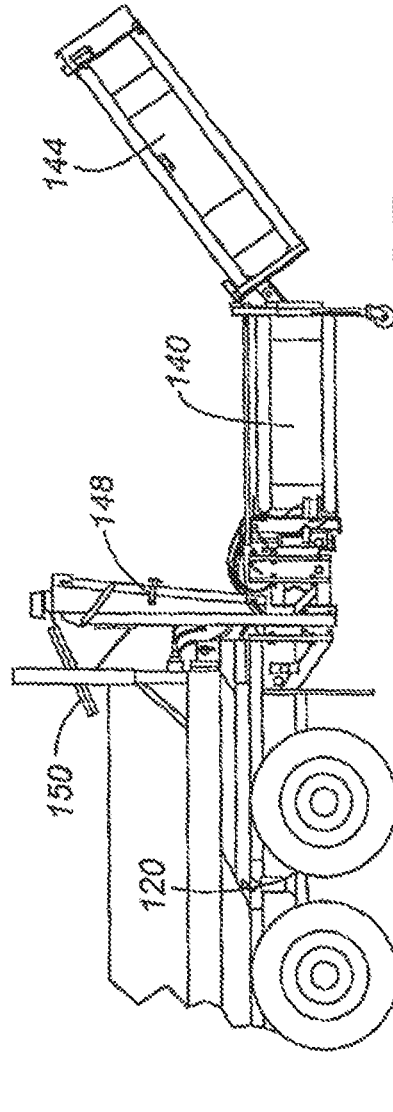


Fig. 6E

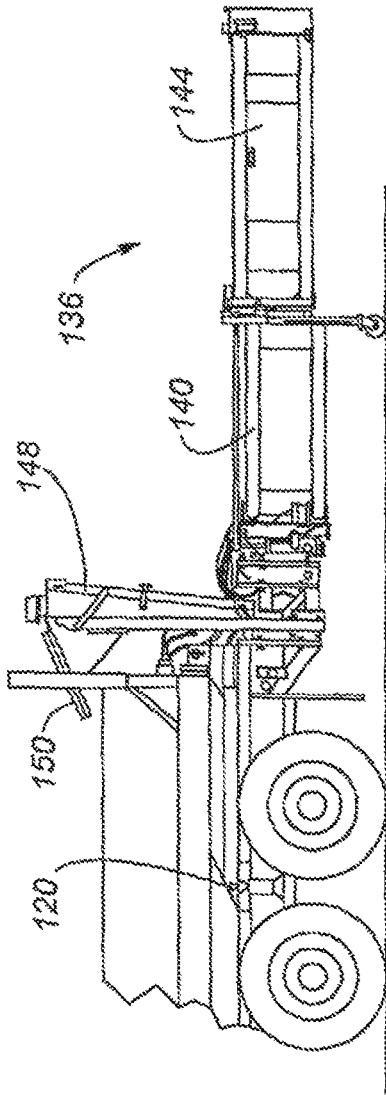


Fig. 6F

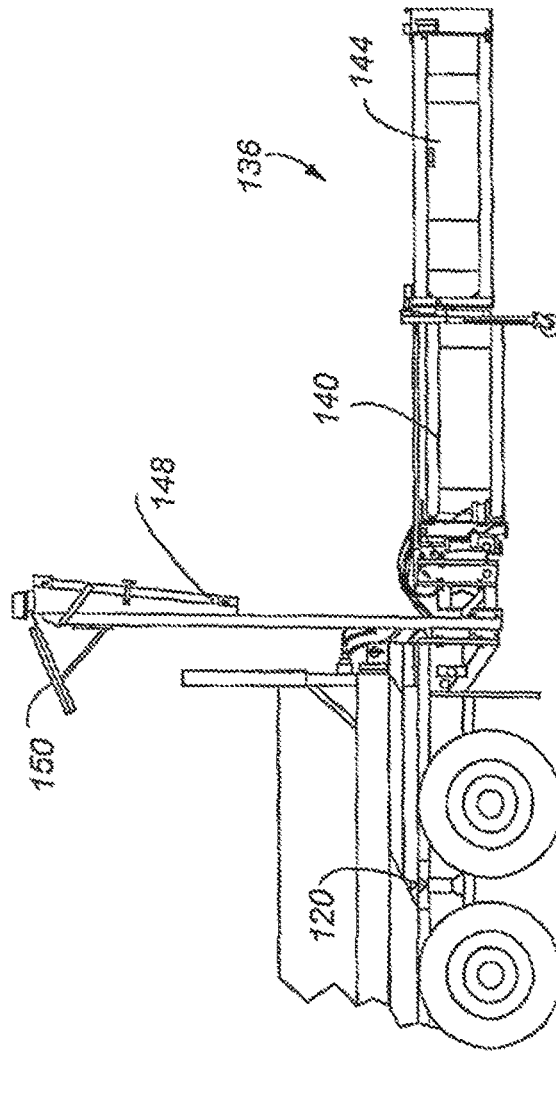


Fig. 6G

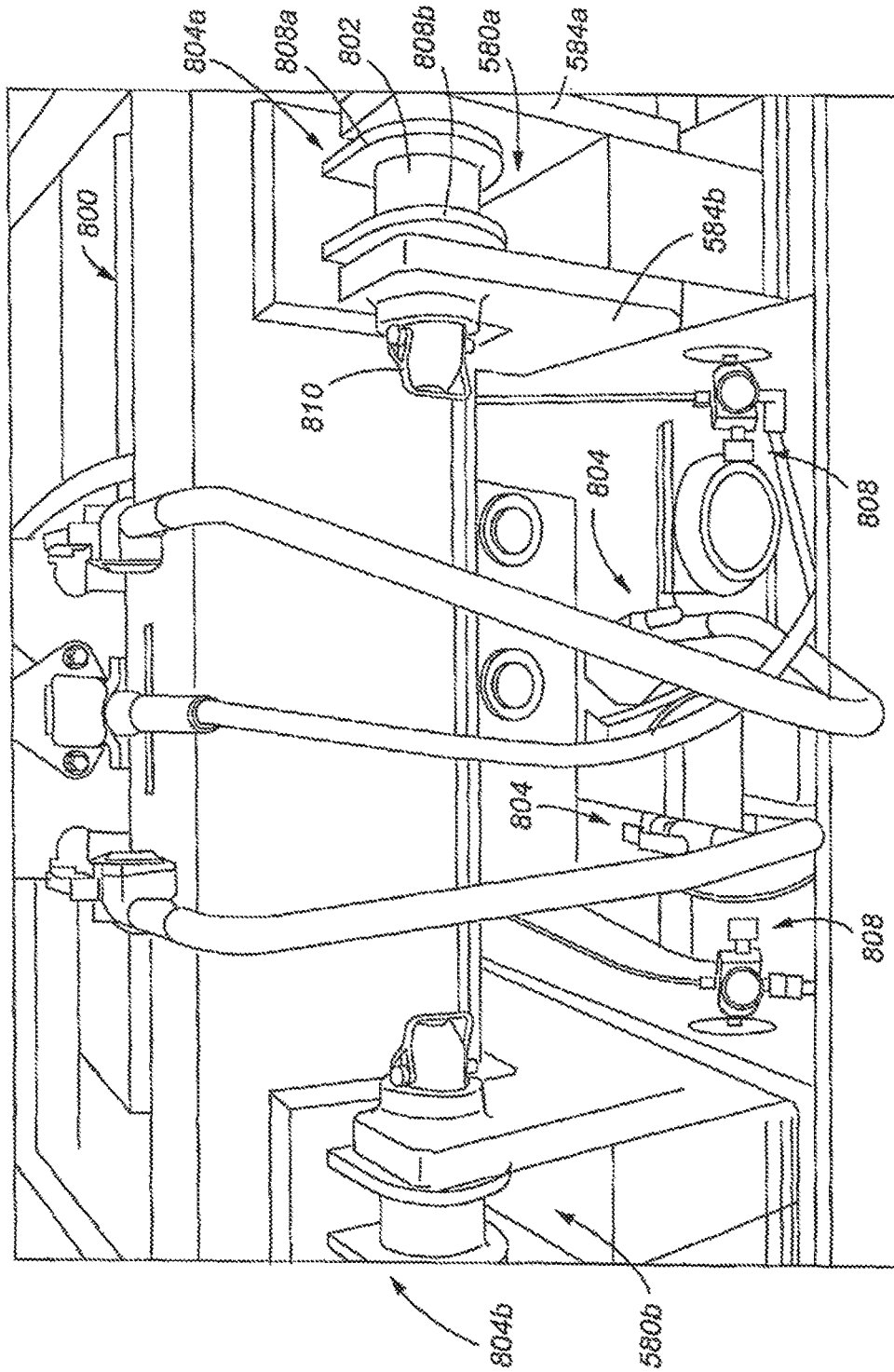


Fig. 8

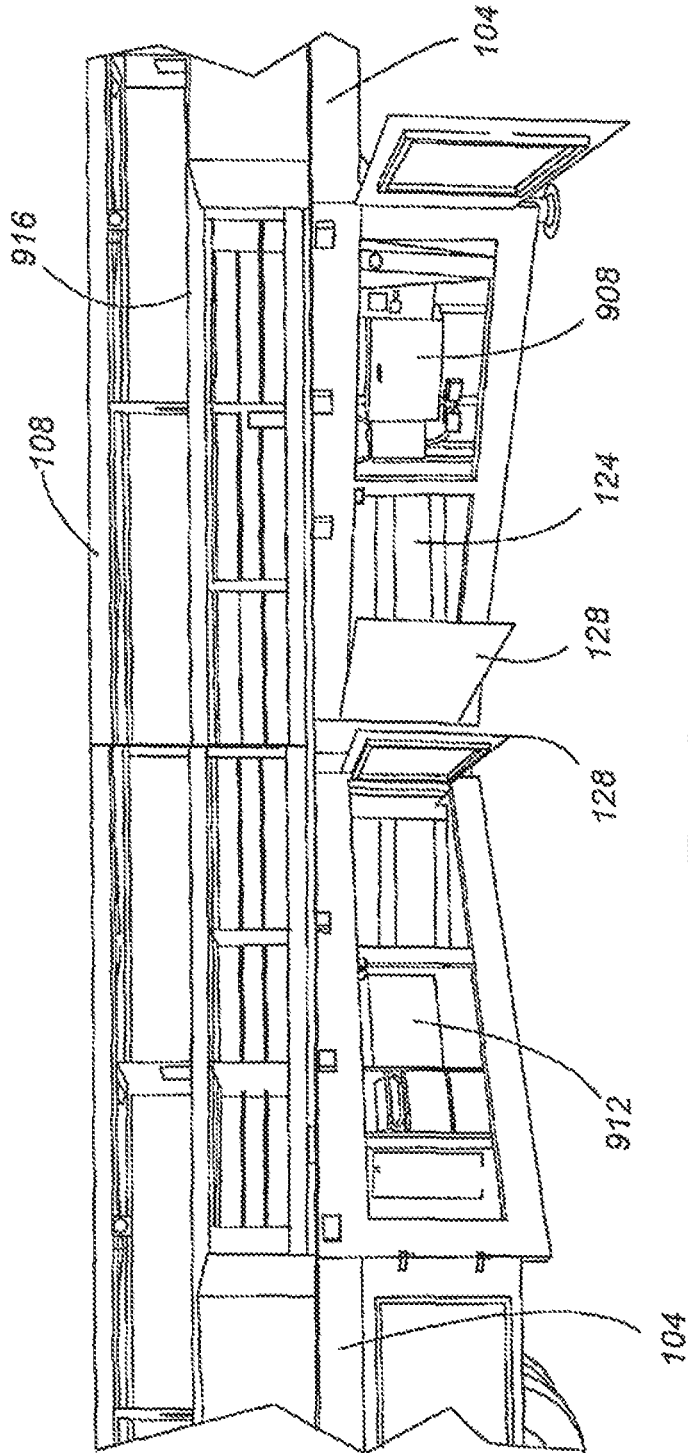


Fig. 9

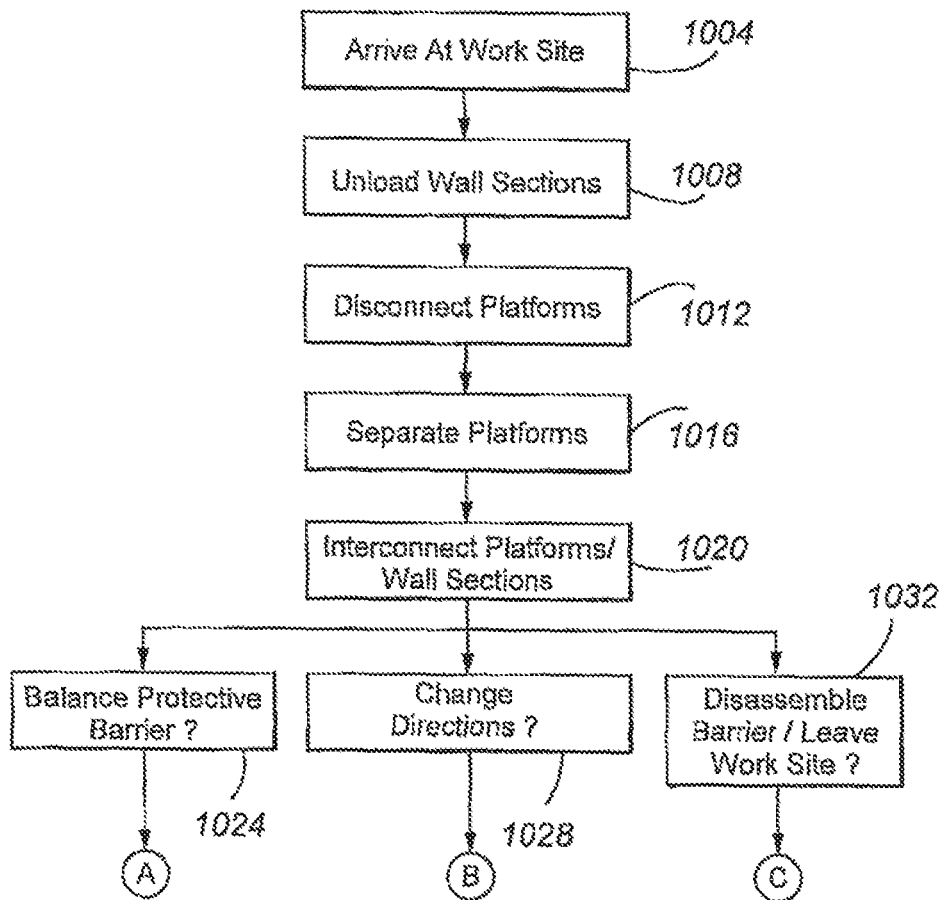


Fig. 10

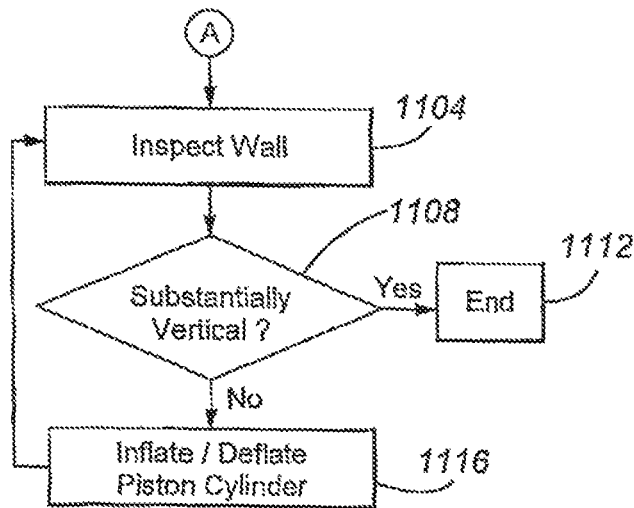


Fig. 11

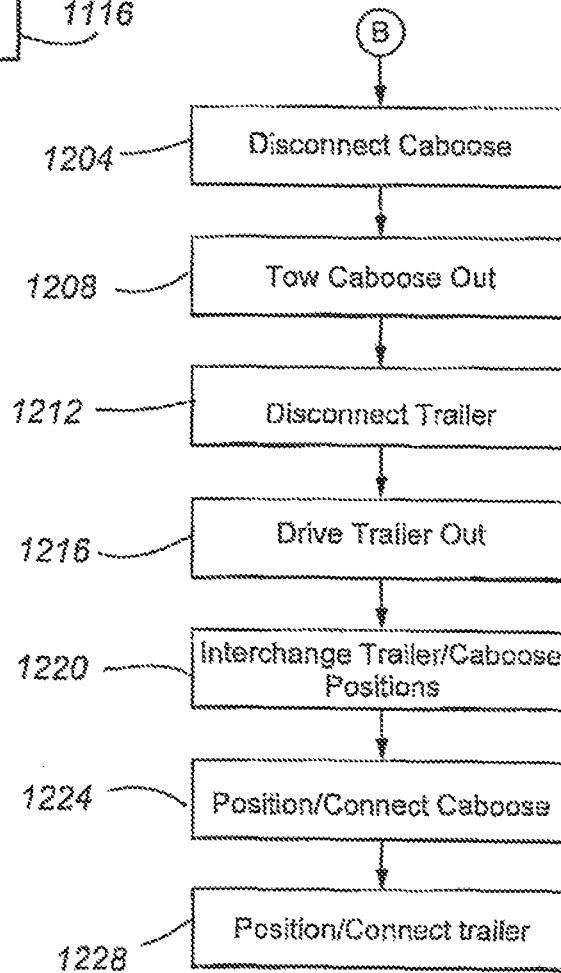


Fig. 12

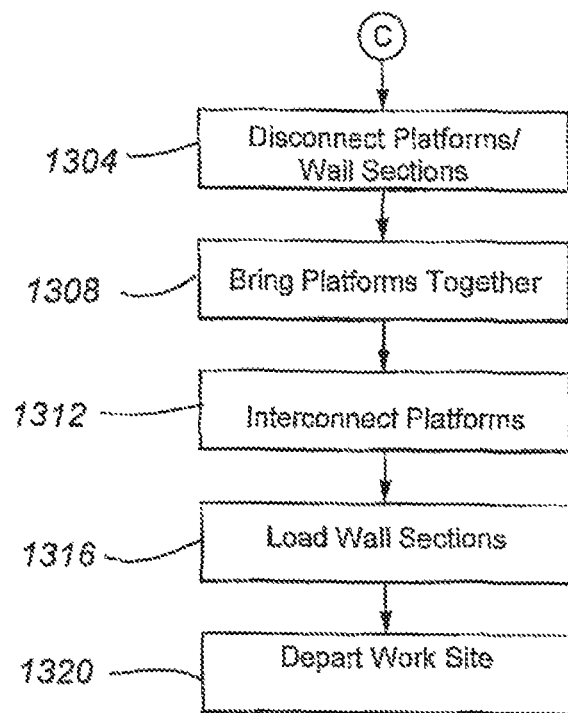
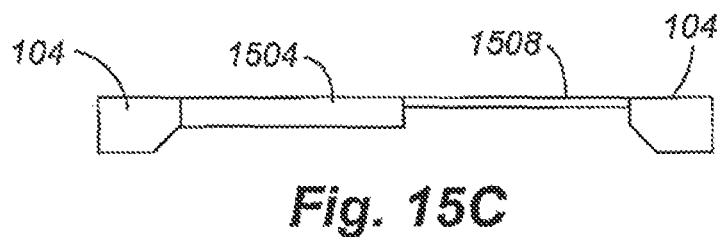
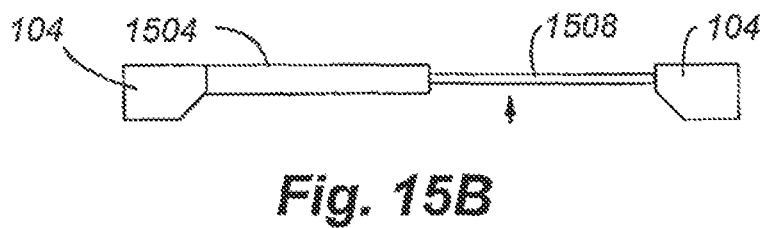
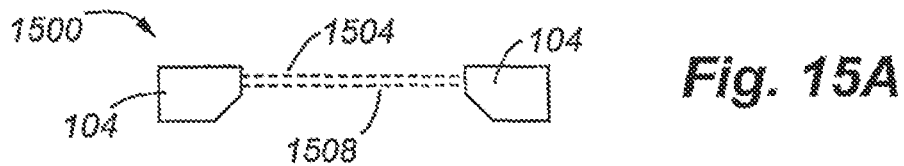
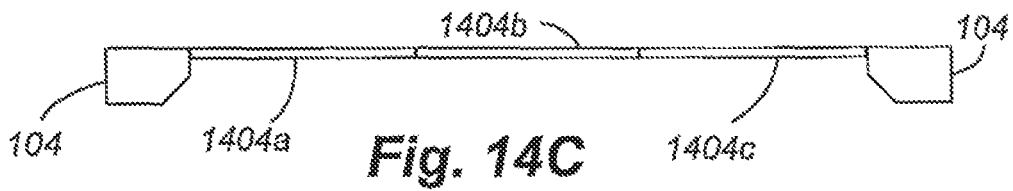
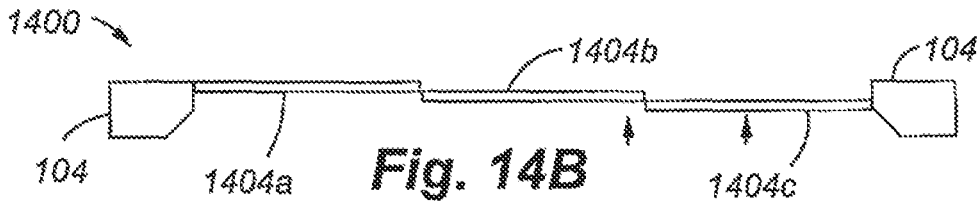
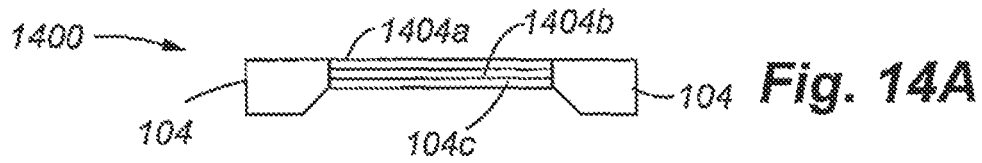


Fig. 13



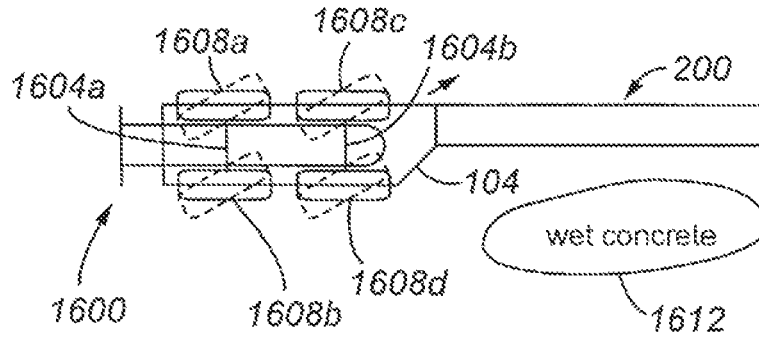


Fig. 16

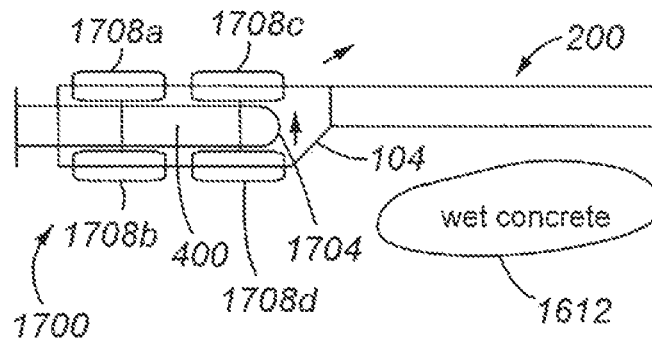


Fig. 17

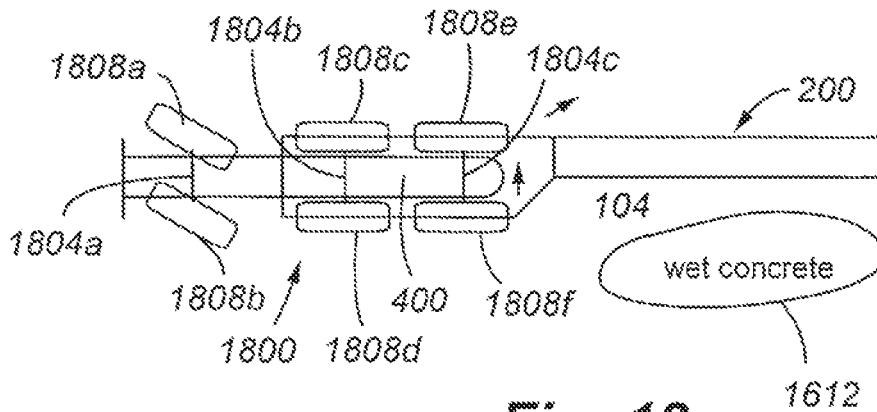


Fig. 18

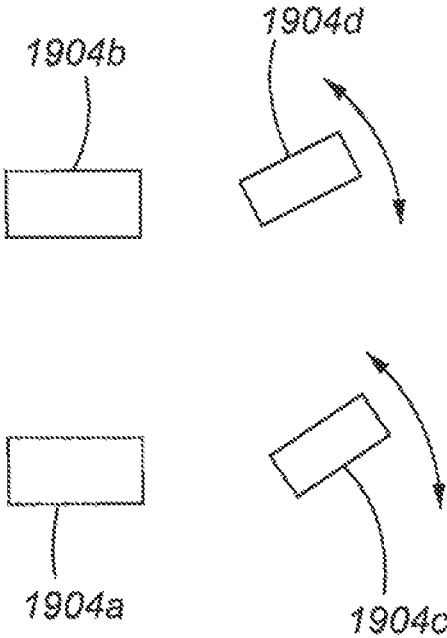


Fig. 19

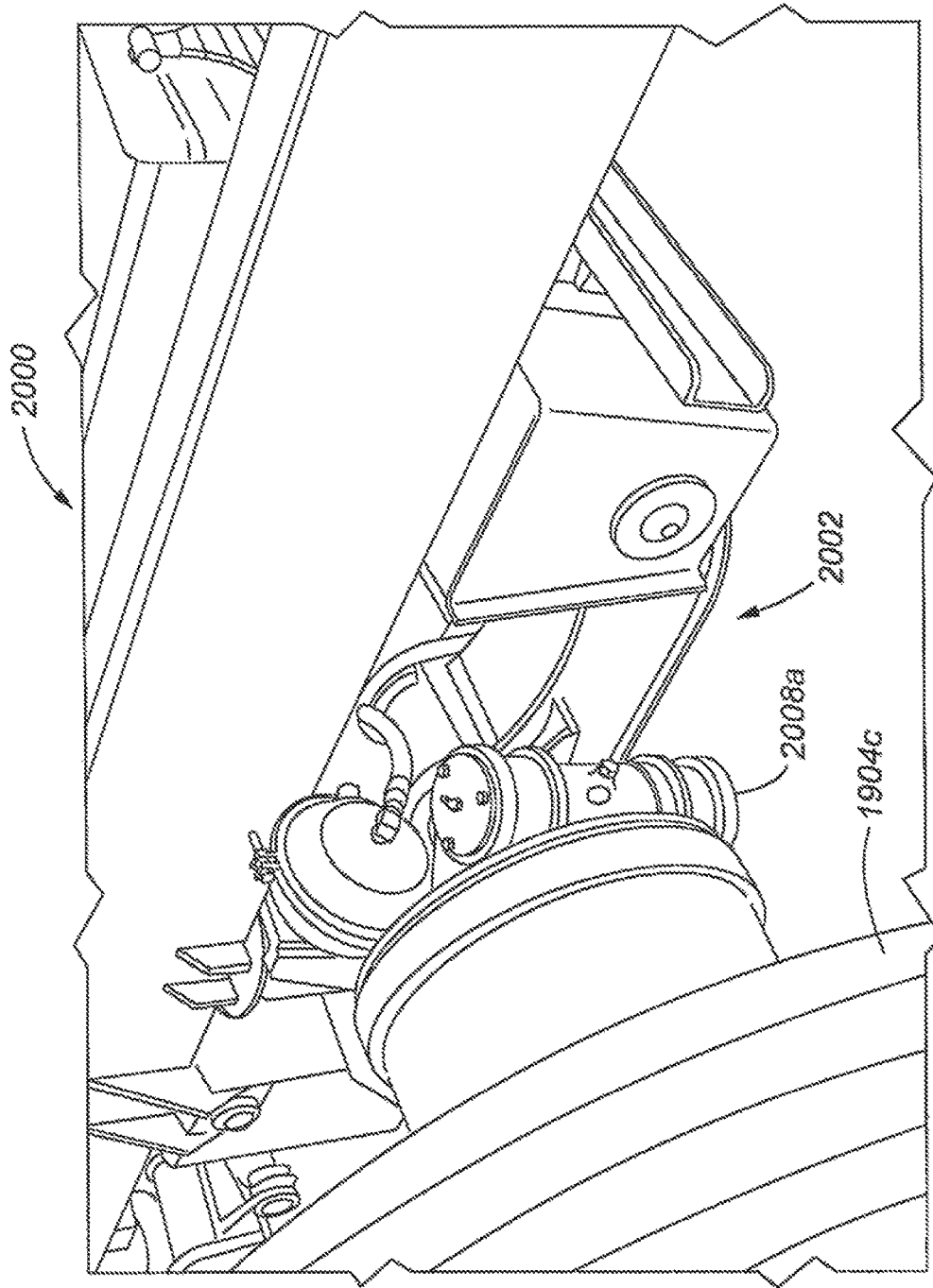


Fig. 20

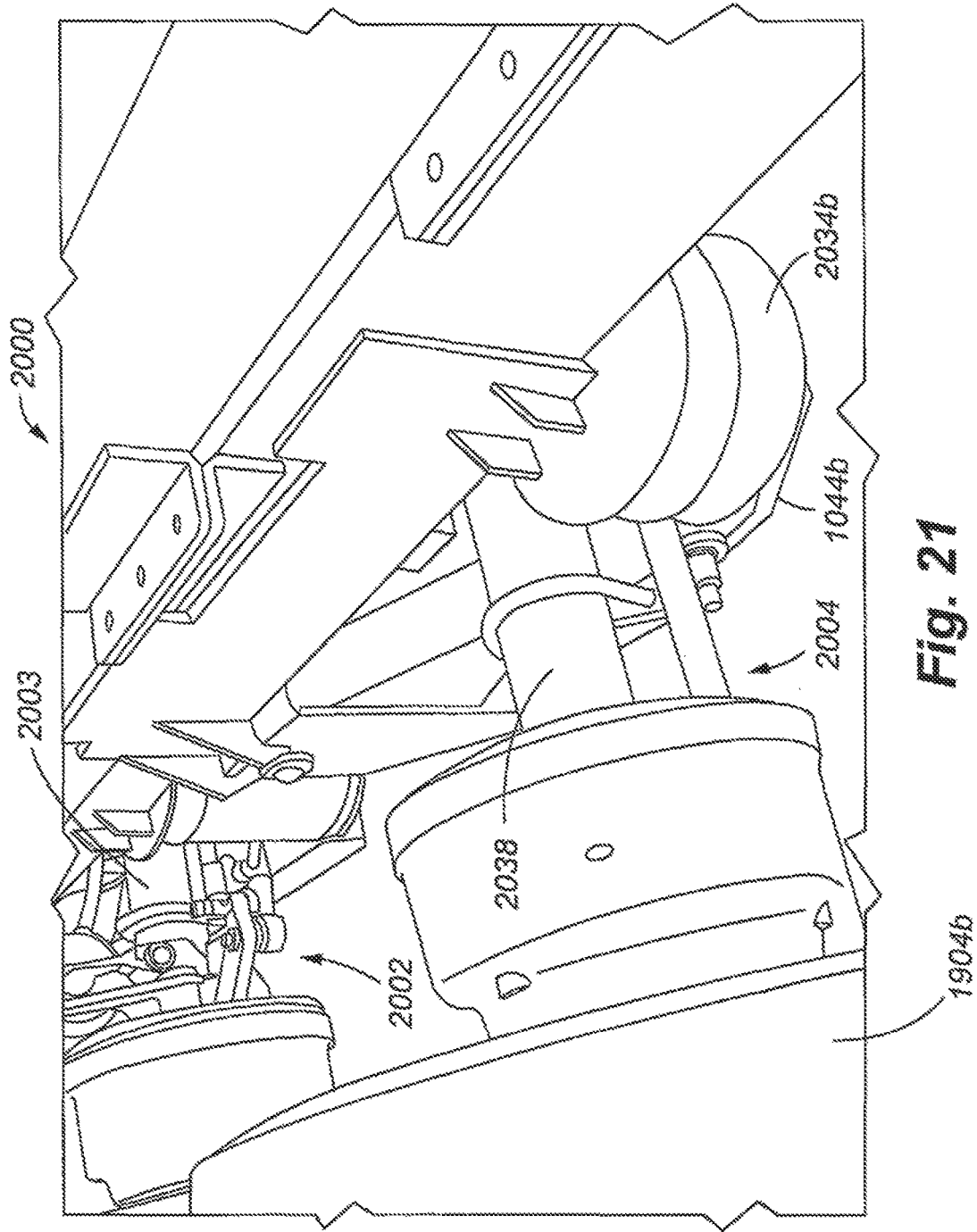


Fig. 21

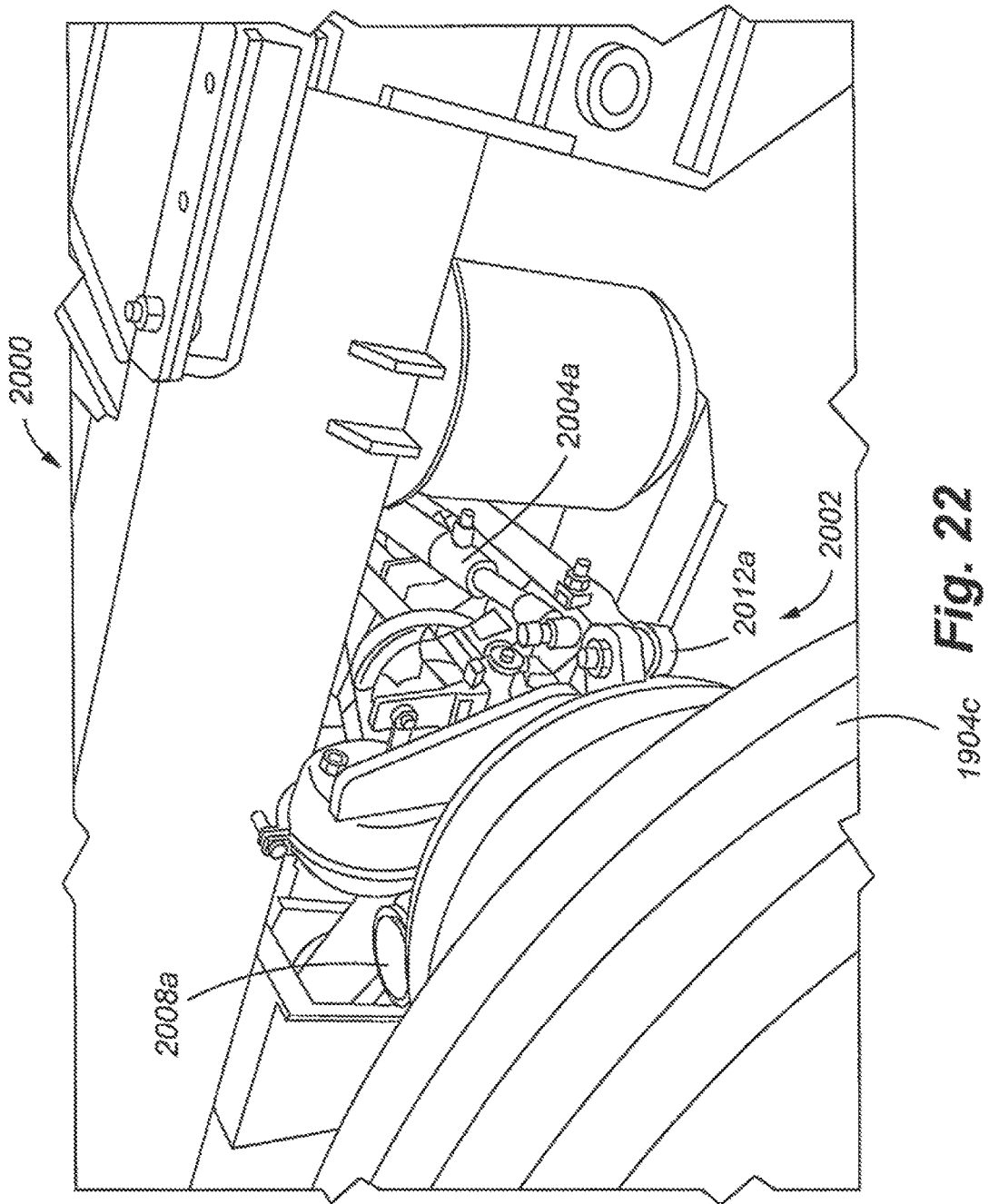


Fig. 22

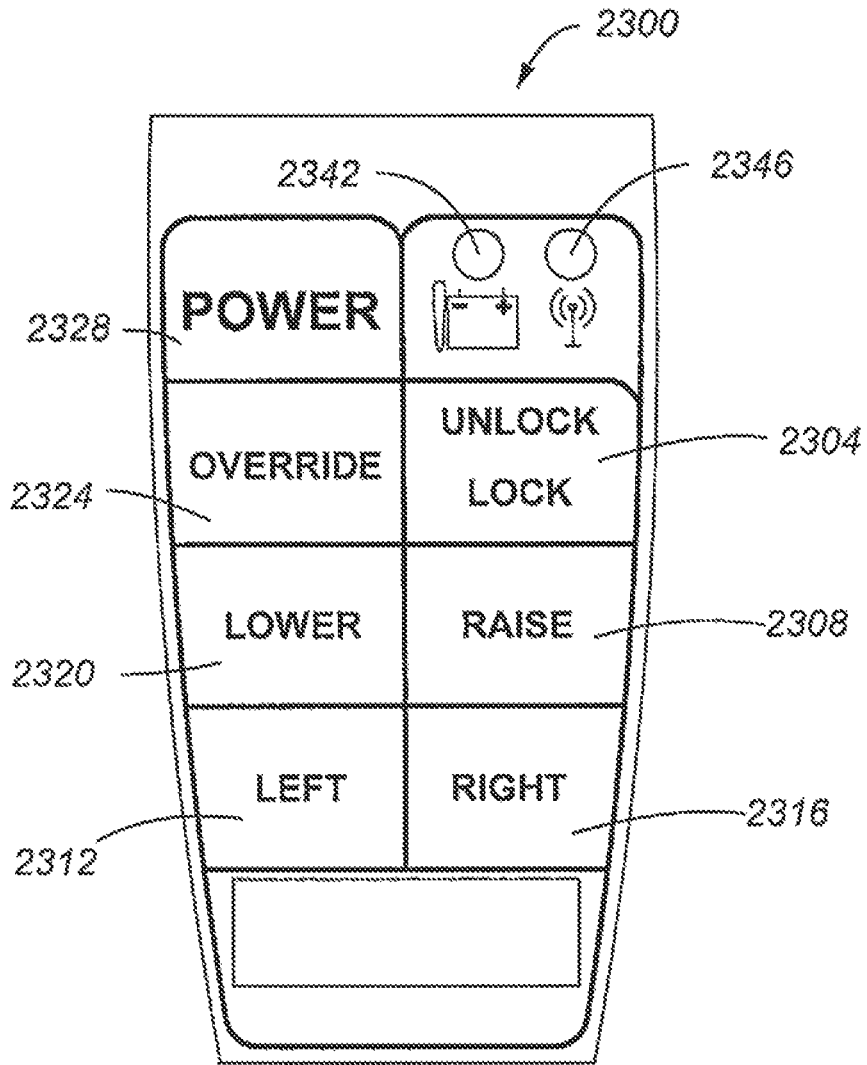


Fig. 23

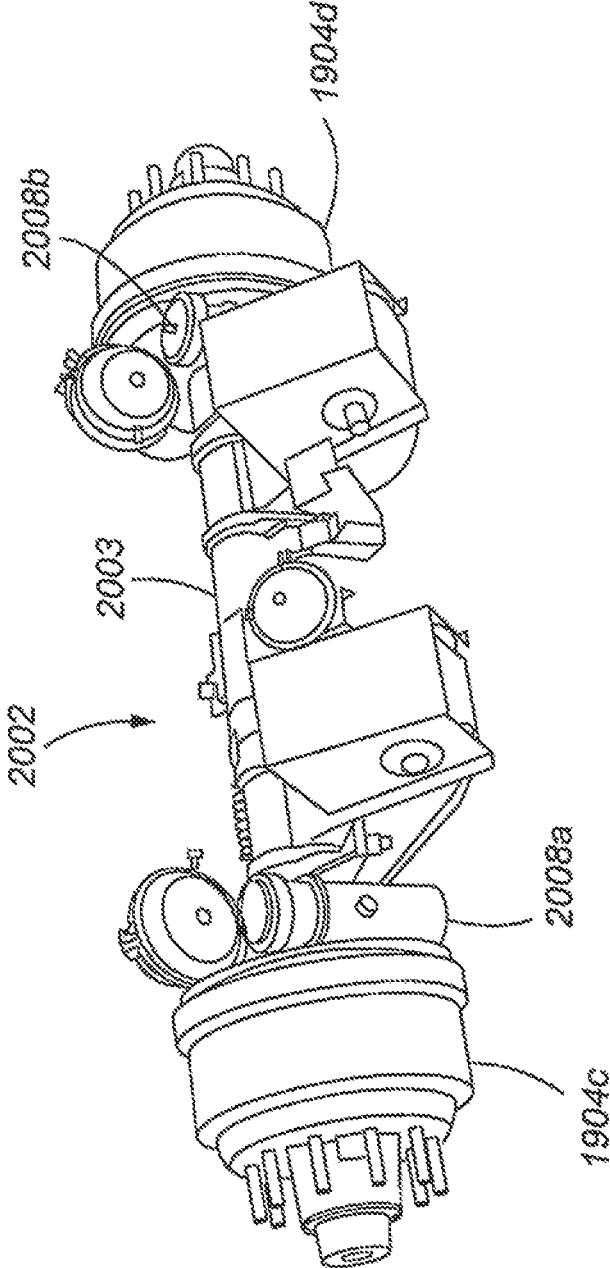


Fig. 24

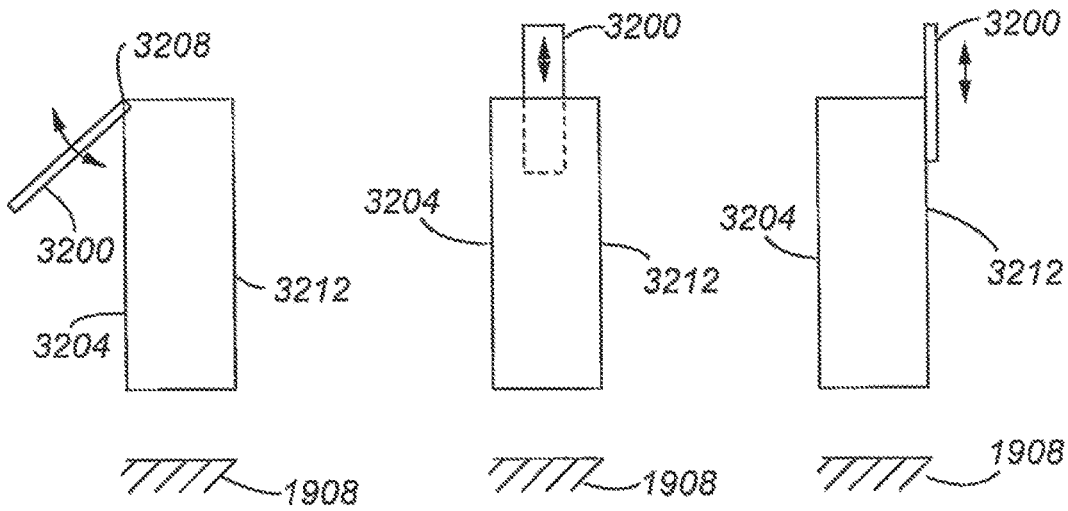


Fig. 32

Fig. 33

Fig. 34

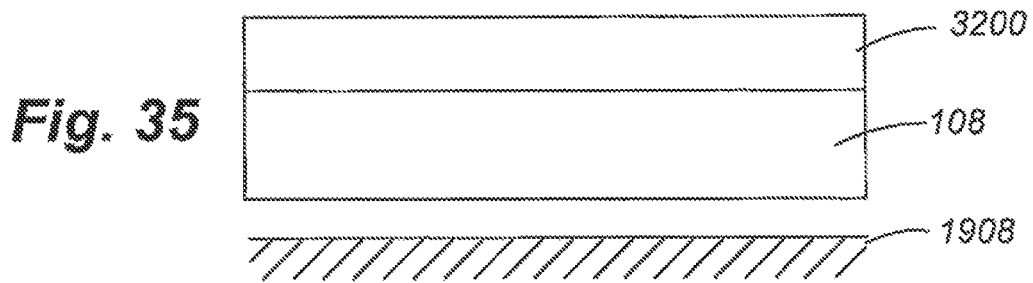


Fig. 35

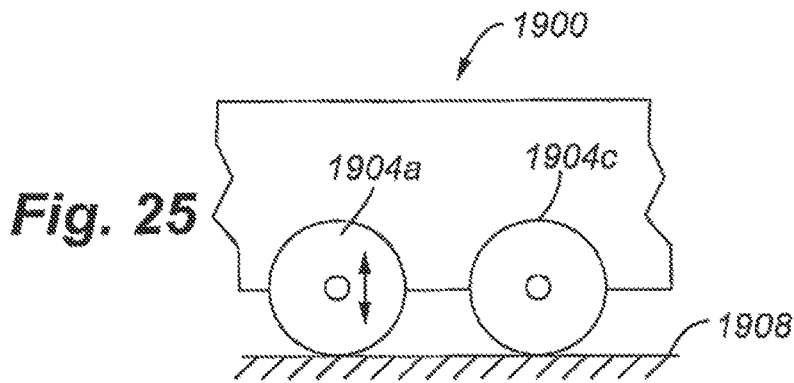
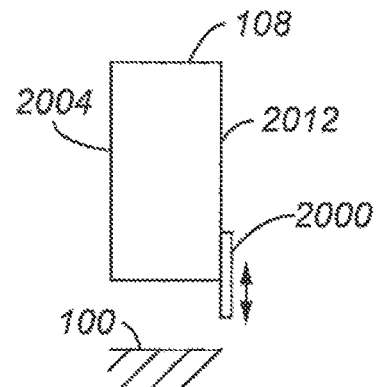
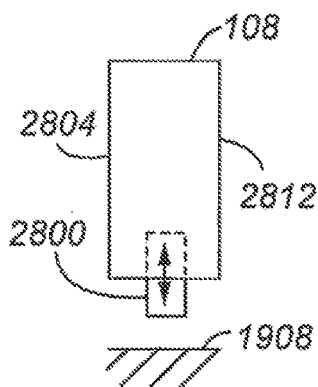
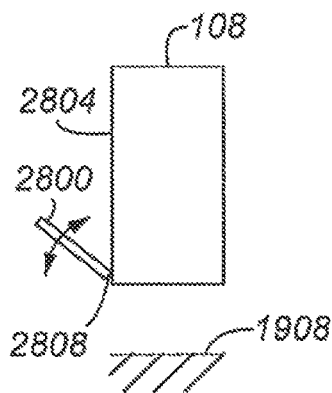
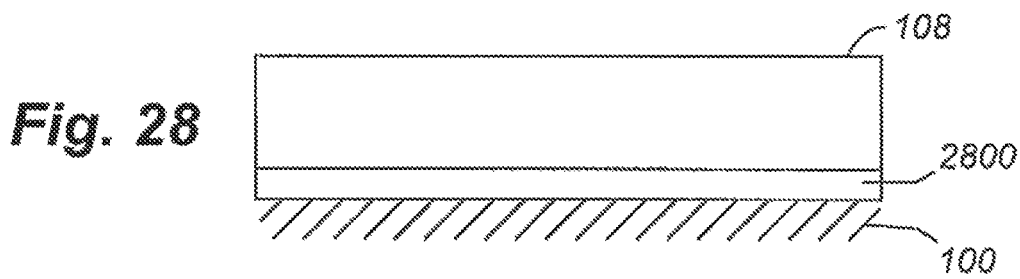
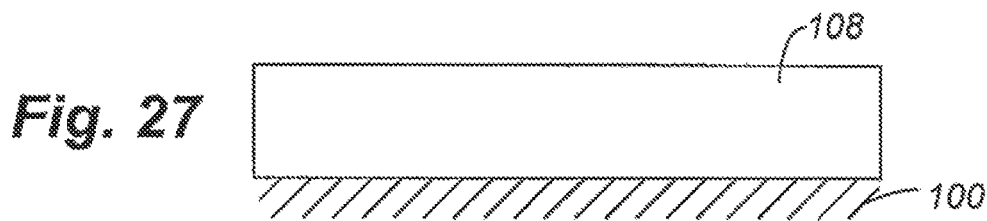
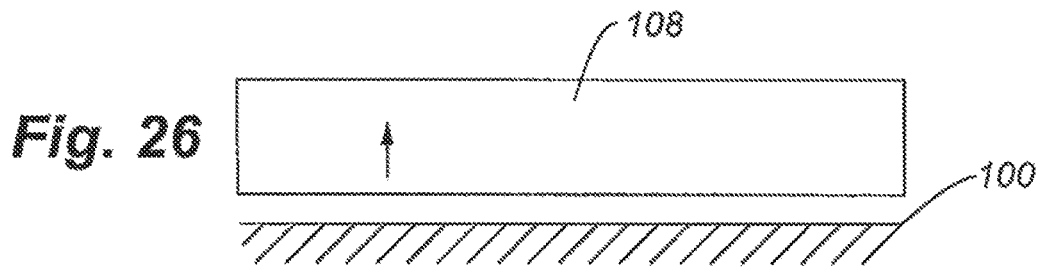


Fig. 25



1

MOBILE BARRIER**CROSS REFERENCE TO RELATED APPLICATION**

The present application is a continuation of U.S. Ser. No. 12/962,360, now U.S. Pat. No. 8,740,241, filed on Dec. 7, 2010, and hereby incorporates that application in its entirety. The present application also claims the benefit of U.S. Provisional Application Ser. Nos. 61/267,335, filed Dec. 7, 2009, and 61/368,952, filed Jul. 29, 2010, each of which is entitled "MOBILE BARRIER" and are incorporated herein by this reference in their entirety.

FIELD OF THE INVENTION

The present invention relates generally to the field of trailers and other types of barriers used to shield road construction workers from traffic. More specifically, the present invention discloses a safety and construction trailer having a fixed safety wall and semi tractor hookups at both ends.

BACKGROUND

Various types of barriers have long been used to protect road construction workers from passing vehicles. For example, cones, barrels and flashing lights have been widely used to warn drivers of construction zones, but provide only limited protection to road construction workers in the event a driver fails to take heed. Some construction projects routinely park a truck or other heavy construction equipment in the lane between the construction zone and on-coming traffic. This reduces the risk of worker injury from traffic in that lane, but does little with regard to errant traffic drifting laterally across lanes into the construction zone. In addition, conventional barriers require significant time and effort to transport to the work site, and expose workers to significant risk of accident while deploying the barrier at the work site. Therefore, a need exists for a safety barrier that can be readily transported to, and deployed at the work site. In addition, the safety barrier should protect against lateral incursions by traffic from adjacent lanes, as well as traffic in the same lane.

SUMMARY

These and other needs are addressed by the various embodiments and configurations of the present invention. In contrast to the prior art in the field, the present invention can provide a safety trailer with a fixed safety wall and semi tractor hookups at one or both ends.

In a first embodiment, a safety trailer includes:

(a) first and second removably interconnected platforms, at least one of the first and second platforms being engaged with an axle and wheels, the first and second platforms defining a trailer; and

(b) a plurality of wall sections supported by the trailer, the wall sections, when deployed to form a barrier wall, are positioned between the first and second interconnected platforms

(c) wherein at least one of the following is true:

(c1) the trailer supports a ballast member, the ballast member being positioned near a first side of the trailer and the ballast member near a second, opposing side of the trailer, the ballast member offsetting, at least partially, a weight of the plurality of wall sections, and

2

(c2) the axle of the trailer is engaged with a vertical adjustment member, the vertical adjustment member selectively adjusting a vertical position of a surface of the trailer.

In a second embodiment, a safety trailer includes:

5 (a) first and second platforms;

(b) a plurality of interconnected wall sections positioned between and connected to the first and second platforms, the plurality of wall sections defining a protected work area on a side of the trailer;

10 (c) wherein each wall section has at least one of the following features:

(c1) a plurality of interconnected levels, each level comprising first and second longitudinal members, a plurality of truss members interconnecting the first and second longitudinal members, and being connected to an end member;

15 (c2) a longitudinal member extending a length of the wall section, the longitudinal member being positioned at the approximate position of a bumper of a vehicle colliding with the wall section;

20 (c3) a plurality of full height and partial height wall members, the full height wall members extending substantially the height and width of the wall section and the partial height wall members extending substantially the width but less than the height of the wall section, the full height and partial height members alternating along a length of the wall section; and

(c4) first and second end members, each of the first and second end members comprising an outwardly projecting alignment member and an alignment-receiving member, the first and second end members having the alignment and alignment-receiving members positioned in opposing configurations.

In a third embodiment, a trailer includes:

(a) a trailer body;

35 (b) a removable caboose engageable with the trailer body, the caboose having a nose portion and at least one axle and wheels; and

(c) a caboose receiving member, the caboose receiving member comprising an alignment device, wherein, in a first mode when the caboose is moved into engagement with the trailer body, the alignment device orients the caboose with a king pin mounted on the trailer body and, in a second mode when the caboose is engaged with the trailer body, the alignment device maintains a desired orientation of the caboose with the trailer.

In a fourth embodiment, a safety system includes:

(a) a vehicle;

(b) first and second platforms;

50 (c) a barrier engaged with the first and second platforms, the barrier and first and second platforms forming a protected work space; and

(d) a caboose, wherein the vehicle and caboose are engaged with the first and second platforms, respectively, wherein the vehicle has a movable king pin plate engaged with a first king pin on the first platform, and wherein the caboose has a fixed king pin plate engaged with a second king pin on the second platform.

In a fifth embodiment, a safety system includes:

(a) a vehicle;

60 (b) first and second platforms;

(c) a barrier engaged with the first and second platforms, the barrier and first and second platforms forming a protected work space; and

65 (d) a caboose, wherein the vehicle and caboose are engaged with the first and second platforms, respectively, wherein the vehicle and caboose have braking systems that operate independently.

3

In a sixth embodiment, a trailer includes:

(a) first and second platforms;

(b) a barrier engaged with the first and second platforms, the barrier and first and second platforms forming a protected work space, wherein the barrier is formed by a plurality of interconnected wall sections and wherein the interconnected wall sections slidably engage one another.

In a seventh embodiment, a trailer includes:

(a) first and second platforms;

(b) a barrier engaged with the first and second platforms, the barrier and first and second platforms forming a protected work space, wherein the barrier is formed by a plurality of interconnected wall sections and wherein the interconnected wall sections telescopically engage one another.

In an eighth embodiment, a trailer includes:

(a) first and second platforms;

(b) a barrier engaged with the first and second platforms, the barrier and first and second platforms forming a protected area, wherein the barrier is formed by a plurality of interconnected wall sections, and wherein at least one of the following is true:

(b1) a bottom of the barrier is positioned at a distance above a surface upon which the trailer is parked and wherein the distance ranges from about 10 to about 14 inches;

(b2) a height of the barrier above the surface is at least about 3.5 feet; and

(b3) a height of the barrier from a bottom of the barrier to the top of the barrier is at least about 2.5 feet.

In a ninth embodiment, a trailer has first and second platforms and one or more wall sections positioned therebetween. Protection at bottom of wall is provided from incursions, such as small arms fire, thrown objects, sprays, and other types of incursions that may pass beneath the wall formed by the sections. The protection can be by any number of techniques.

In a first technique, protection is provided by lowering the entire trailer (e.g., the first and second platforms and intervening wall) to ground. This can be done, for example, by an air ride system. The air ride system dumps air from rear axel bags to lower the trailer when desired. The air ride system can elevate the trailer from the ground by reinflating the rear axel bags.

In a second technique, protection is provided by an air/hydraulic system. The fluid, either air or hydraulic fluid, pressurizes or depressurizes cylinders to the trailer up or down, as desired. This system may be used with the first technique and/or with an independent lever system to again lower trailer, when desired.

In another technique, each of the wall sections includes extension panels that are moved by rotational, telescopic, sliding, etc., into position. The extension panels fill the space or gap between the wall sections and the ground supporting the trailer. The panels may be lowered to fill the gap by numerous techniques. By way of example but not limitation, in one configuration panels built into outside or inside of the wall sections flip (rotate) or slide down or are otherwise moved into position to close the gap between ground and wall section. In another configuration, panels built into bottom of the wall sections flip or slide down or are otherwise moved into position to close the gap between ground and wall section. In another configuration, the panels are moved into and out of position by one or more of air, hydraulics and/or springs and levers with electrical or mechanical switches to drop (lower) and raise (elevate) the wall sections. The wall sections and first and second platforms are plumbed with or otherwise include electrical

4

motors and/or pumps to effect panel displacement into and out of position in the gap. Both generator and battery backup power is readily available in the trailer to provide the electrical energy to power the electrical switches or pumps.

In another technique, an external panel is provided in the walls that slides directly down (via air, hydraulics, springs or other means) to fill the gap. This may be done, for example, telescopically.

The present invention can provide a number of advantages depending on the particular configuration.

In one aspect, the barrier (and thus the entire trailer) is of any selected length or extendable, but the wall is "fixed" to the platforms on one side of the trailer. That side, however, can be changed to the right or left side of the road, depending on the end to which the semi tractor attaches. This dual-ended, fixed-wall design thus can eliminate the need for complex shifting or rotating designs, which are inherently weaker and more expensive, and which cannot support the visual barriers, lighting, ventilation and other amenities necessary for providing a comprehensive safety solution. The directional lighting and impact-absorbing features incorporated at each end of the trailer and in the caboose can combine with the fixed wall and improved lighting to provide increased protection for both work crews and the public, especially with ever-increasing amounts of night-time construction. End platforms integral to the trailer's design can minimize the need for workers to leave the protected zone and eliminate the need for separate maintenance vehicles by providing onboard hydraulics, compressors, generators and related power, fuel, water, storage and portable restroom facilities. Optional overhead protection can be extended out over the work area for even greater environmental relief (rain or shine). The fixed wall itself can be made of any rigid material, such as steel. Lighter weight materials having high strength are typically disfavored as their reduced weight is less able to withstand, without significant displacement, the force of a vehicular collision. The trailer can carry independent directional and safety lighting at both ends and will work with any standard semi tractor. Optionally, an impact-absorbing caboose can be attached at the end of the trailer opposite the tractor to provide additional safety lighting and impact protection.

In one aspect, the trailer is designed to provide road maintenance personnel with improved protection from ongoing, oncoming and passing traffic, to reduce the ability of passing traffic to see inside the work area (to mitigate rubber-necking and secondary incidents), and to provide a fully-contained, mobile, enhanced environment within which the work crews can function day or night, complete with optional power, lighting, ventilation, heating, cooling, and overhead protection including extendable mesh shading for sun protection, or tarp covering for protection from rain, snow or other inclement weather.

Platforms can be provided at both ends of the trailer for hydraulics, compressors, generators and other equipment and supplies, including portable restroom facilities. The trailer can be fully rigged with direction and safety lighting, as well as lighting for the work area and platforms. Power outlets can be provided in the interior of the work area for use with construction tools and equipment, with minimal need for separate power trailers or extended cords. Both the caboose and the center underside of both end platforms can provide areas for fuel, water and storage. Additional fuel, water and miscellaneous storage space can be provided in an optional extended caboose of like but lengthened design.

In one aspect, the trailer is designed to eliminate the need for separate lighting trucks or trailers, to reduce glare to

traffic, to eliminate the need for separate vehicles pulling portable restroom facilities, to provide better a brighter, more controlled work environment and enhanced safety, and to, among other things, better facilitate 24-hour construction along our nation's roadways. Other applications include but are not limited to public safety, portable shielding and shelter, communications and public works. Two or more trailers can be used together to provide a fully enclosed inner area, such as may be necessary in multi-lane freeway environments.

With significant shifts to night construction and maintenance, the trailer, in one aspect, can provide a well-lit, self-contained, and mobile safety enclosure. Historical cones can still be used to block lanes, and detection systems or personnel can be used to provide notice of an errant driver, but neither offers physical protection or more than split second warning for drivers who may be under the influence of alcohol or intoxicants, or who, for whatever reason, become fixated on the construction/maintenance equipment or lights and veer into or careen along the same.

The trailer can provide an increased level of physical protection both day and night and workers with a self-contained and enhanced work environment that provides them with basic amenities such as restrooms, water, power, lighting, ventilation and even some possible heating/cooling and shelter. The trailer can also be designed to keep passing motorists from seeing what is going on within the work area and hopefully facilitate better attention to what is going on in front of them. Hopefully, this will reduce both direct and secondary incidents along such construction and maintenance sites.

Embodiments of this invention can provide a safety trailer with semi-tractor hookups at both ends and a safety wall that is fixed to one side of the trailer. That side, however, can be changed to the right or left side of the road, depending on the end to which the semi-tractor attaches. A caboose can be attached at the end of the trailer opposite the tractor to provide additional lighting and impact protection. Optionally, the trailer can be equipped with overhead protection, lighting, ventilation, onboard hydraulics, compressors, generators and other equipment, as well as related fuel, water, storage and restroom facilities and other amenities.

These and other advantages will be apparent from the disclosure of the invention(s) contained herein.

As used herein, "at least one", "one or more", and "and/or" are open-ended expressions that are both conjunctive and disjunctive in operation. For example, each of the expressions "at least one of A, B and C", "at least one of A, B, or C", "one or more of A, B, and C", "one or more of A, B, or C" and "A, B, and/or C" means A alone, B alone, C alone, A and B together, A and C together, B and C together, or A, B and C together.

It is to be noted that the term "a" or "an" entity refers to one or more of that entity. As such, the terms "a" (or "an"), "one or more" and "at least one" can be used interchangeably herein. It is also to be noted that the terms "comprising", "including", and "having" can be used interchangeably.

The preceding is a simplified summary of the invention to provide an understanding of some aspects of the invention. This summary is neither an extensive nor exhaustive overview of the invention and its various embodiments. It is intended neither to identify key or critical elements of the invention nor to delineate the scope of the invention but to present selected concepts of the invention in a simplified form as an introduction to the more detailed description presented below. As will be appreciated, other embodiments

of the invention are possible utilizing, alone or in combination, one or more of the features set forth above or described in detail below.

BRIEF DESCRIPTION OF THE DRAWINGS

FIGS. 1A-1E show a loaded trailer, in accordance with embodiments of the present invention;

FIGS. 2A-2C show a deployed protective wall, in accordance with embodiments of the present invention;

FIGS. 3A-3C show a wall section in accordance with embodiments of the present invention;

FIGS. 4A-4H show a platform and its components in accordance with embodiments of the present invention;

FIGS. 5A-5B show a caboose, in accordance with embodiments of the present invention;

FIGS. 6A-6G show a truck mounted attenuator attached to the caboose shown in FIGS. 5A-5B;

FIG. 7 shows an interconnection member between a platform and a truck mounted attenuator;

FIG. 8 shows a forced air system, in accordance with embodiments of the present invention;

FIG. 9 shows the loaded trailer, including a storage compartment;

FIG. 10 is a flow chart illustrating a method of deploying a protective barrier;

FIG. 11 is a flow chart illustrating a method of balancing the weight of a protective barrier;

FIG. 12 is a flow chart illustrating a method of changing the orientation of a protective barrier/trailer;

FIG. 13 is a flow chart illustrating a method of disassembling a protective barrier and loading the component parts for transport;

FIGS. 14A-C are illustrations of a fixed wall protective barrier in accordance with alternative embodiments of the present invention;

FIG. 15A-C are illustrations of a fixed wall protective barrier in accordance with another alternative embodiment of the present invention;

FIG. 16 shows a configuration of the caboose according to an embodiment;

FIG. 17 shows a configuration of the caboose according to an embodiment;

FIG. 18 shows a configuration of the caboose according to an embodiment;

FIGS. 19 and 25 illustrate a caboose according to an embodiment;

FIGS. 20-24 illustrate a caboose according to an embodiment;

FIGS. 26-27 depict a fixed wall protective barrier according to an embodiment;

FIG. 28 depicts a fixed wall protective barrier according to an embodiment;

FIG. 29 depicts a particular configuration of the fixed wall protective barrier of FIG. 28;

FIG. 30 depicts a particular configuration of the fixed wall protective barrier of FIG. 28;

FIG. 31 depicts a particular configuration of the fixed wall protective barrier of FIG. 28;

FIG. 32 depicts a particular configuration of the fixed wall protective barrier of FIG. 35;

FIG. 33 depicts a particular configuration of the fixed wall protective barrier of FIG. 35;

FIG. 34 depicts a particular configuration of the fixed wall protective barrier of FIG. 35; and

FIG. 35 depicts a fixed wall protective barrier according to an embodiment.

DETAILED DESCRIPTION

Embodiments of the present invention are directed to a mobile traffic barrier. In one embodiment, the mobile traffic barrier includes a number of inter-connectable wall sections that can be loaded onto a truck bed. The truck bed itself includes two (first and second) platforms. Each platform includes a king pin (not shown); the king pin providing a connection between the selected platform and either a caboose or a tractor. By enabling the tractor to hook at either end, the trailer can incorporate a rigid fixed wall that is open to the right or left side of the road, depending on the end to which the tractor is connected. The side wall and the ends of the trailer define a protected work area for road maintenance and other operations. The tractor and caboose may exchange trailer ends to change the side to which the wall faces. The dual-hookup, fixed-wall design can enable and incorporate compartments (in the platforms) for equipment and storage, onboard power for lighting, ventilation, and heating and/or cooling devices and power tools, and on-board hydraulics for hydraulic tools. The design can also provide for relatively high shielding from driver views, and in general, a larger and better work environment, day or night.

Referring initially to FIG. 1A, a trailer in accordance with an embodiment is generally identified with reference numeral 100. The trailer 100 includes two (first and second) platforms 104a,b and a number of wall sections 108a-c. As described in greater detail below, the wall sections 108a-c are adapted to interconnect to each other and to the platforms 104a,b to form a protective wall. In FIG. 1A, the wall sections 108a,b are disconnected from each other and secured in a stored position on top of the interconnected platforms 104a,b. In this position, the trailer 100 is configured so that it may be transported to a work site. In the transport configuration illustrated in FIG. 1A, the platforms 104 are bolted to each other to form a truck bed that is operable to carry the wall sections 108 and other components.

In addition to the wall sections 108a-c, the platforms 104a,b carry two rectangular shaped ballast members 112a,b, which are shown as boxes of sand. As will be appreciated, the ballast members can be any other heavy material. The weights of ballast boxes 112a,b counter balance the weights of the wall sections 108a-c, when the wall sections 108a-c are deployed to form a protective barrier and when being transported atop the platforms. The ballast boxes 112a,b hold between about 5,000 and 8,000 lbs. of weight, particularly sand. At 8,000 lbs., the ballast boxes 112a,b counter balance three wall sections 108a-c, when the wall sections are deployed or being transported. In one configuration, the wall sections 108a-c weigh approximately 5,000 lbs. each.

The truck bed formed by the interconnected platforms 108a,b is connected at one end to a standard semi-tractor 116 and at the other end to an impact-absorbing caboose 120. Both of the platforms 108a,b include a standard king pin connection to the tractor 116 or caboose 120, as the case may be. The caboose 120 may include an impact absorbing Track Mounted Attenuator ("TMA") 136, such as the SCORPION™ manufactured by Traffix Devices, Inc. In accordance with alternative embodiments, the caboose 120 and/or tractor 116 may include a rigid connection to the rear platform 104.

FIG. 1B shows a reverse side of the trailer 100 shown in FIG. 1A. Each platform 104a,b includes at least one storage

compartment 124. The doors 128 to the storage compartment 124 are shown in FIG. 1A. The reverse perspective of FIG. 1B shows a rigid wall 132 forming the rear of the storage compartment 124.

FIG. 1C shows a rear view of the trailer 100. In FIG. 1C, the TMA 136 is shown in its retracted position. FIG. 1D shows a rear view of the trailer 100 with the TMA 136 in a deployed position.

FIG. 1E shows a top plan view of the trailer 100. As can also be seen in FIGS. 1D and 1E, the trailer 100 includes three wall sections 108 stored on top of the platforms 104a,b. Two of the wall sections 108a,b nearest the right side of the trailer are positioned end-to-end, with one being positioned on top of each platform. The third wall section 108c is positioned between the wall sections 108a,b and the ballast boxes 112 and is approximately bisected by the longitudinal axis A of the trailer (or the first and second platforms). Effectively, by substantially co-locating the longitudinal axis of the third wall section 108c with the longitudinal axis A of the trailer, the weight of the third wall section 108c is effectively counter-balanced. The weight of ballast box 112a therefore counterbalances effectively the first wall section 104a and ballast box 112b counterbalances effectively the second wall section 104b. The platforms 104a,b are asymmetrical with respect to the longitudinal axis A. Accordingly, the weights of the ballast boxes can be greater than the weights of the wall sections to counter balance the asymmetrical portion of the platforms. The loading of the trailer shown in FIG. 1E thus serves to balance the weight of the various trailer components with respect to the longitudinal axis A.

Referring now to FIG. 2A, the trailer 100 is shown in its unloaded or deployed configuration. As can be seen in FIG. 2A, the wall sections 108a-c have been removed from their loaded positions on top of the platforms 104a,b and connected between the platforms 104a,b to form a protective barrier 200. This is accomplished by removing the wall sections 108a-c, such as for example through the use of cranes or a forklift, and then disconnecting the two platforms 104a,b from each other. After the platforms 104a,b have been disconnected, the platforms 104a,b are spatially separated and the wall sections 108a-c are then inserted therebetween. As can be seen in FIG. 2A, the two ballast boxes 112a,b remain in place on top of the platforms 104a,b. The ballast boxes provide a counter-balance to the weight of the wall sections 108a-c, which are disposed on the opposite side of the platforms 104a,b.

FIG. 2A shows a view of the protective barrier 200 from the perspective of the protected work zone area. From the protected work zone, the storage compartment doors 128 and other equipment are accessible. The protected work zone area 204 can be seen in FIG. 2B, which shows a top plan view of the protective barrier 200 shown in FIG. 2A. As can be seen, the protective barrier creates a protected work area 204, which includes a space adjacent to the wall sections 108a-c and between the platforms 104a,b. The road or other work surface is exposed within the work zone area 204. The work zone area 204 is sufficiently large for heavy equipment to access the work surface.

FIG. 2C shows the traffic-facing side of the protective barrier 200. As can be seen in FIG. 2C, the protective barrier 200 presents a protective wall 208 proximate to the traffic zone. The protective wall 208 includes the rigid wall 132 and number of wall sections 108a-c, which are interconnected to the two platforms 104a,b. The bottoms of the wall sections 108a-c are elevated a distance 280 above the roadway 284. FIGS. 5A-B additionally show a portion of the caboose 120,

which interconnects to and is disposed underneath a selected one of the platforms **104a,b**. The wheels of the caboose **120**, in the deployed position of the trailer **100** shown in FIG. 2C, are covered with a piece of sheet metal **212**. During transport, this piece of sheet metal **212** can be disconnected from the platform **104** and positioned in a stowed manner on top of one of the platforms **104**.

Although stands **290** are shown in place at either end of the protective barrier **200** and may be used to support individual wall sections **108** of the barrier **200**, it is to be understood that no stands are required to support the barrier **200**. The barrier **200** has sufficient structural rigidity to act as a self-supporting elongated beam when supported on either end by the tractor **116** and caboose **120**. This ability permits the barrier **200** to be located simply by locking the tractor and caboose brakes and relocated simply by unlocking the brakes, moving the barrier **200** to the desired location, and relocking the brakes of the tractor and caboose. Requiring additional supports or stands to be lowered as part of barrier **200** deployment can not only immobilize the barrier **200** but also increase barrier rigidity to the point where it may cause excess damage and deflection to a colliding vehicle and excess ride down and lateral G forces to the occupant of the vehicle.

The wall section height is preferably sufficient to prevent a vehicle colliding with the barrier **200** from flipping over the wall section into the work area and/or the barrier **200** from cutting into the colliding vehicle, thereby increasing vehicle damage and lateral and ride-down G forces to vehicular occupants. Preferably, the height of each of the wall sections is at least about 2.5 feet, more preferably at least about 3.0 feet, even more preferably at least about 3.5 feet, and even more preferably at least about 4.0 feet. Preferably, the height of the top of each wall section above the surface of the ground or pavement **284** is at least about 3.5 feet, more preferably at least about 4 feet, even more preferably at least about 4.5 feet, and even more preferably at least about 5 feet.

The protective wall or barrier **200** may additionally include attachment members **216** operable to interconnect a visual barrier **220** to the protective wall **200**. A visual barrier **220** in accordance with embodiments is mounted to the protective wall **200** and extends from the top of the protective wall **200** to approximately four feet above the wall **200**. The visual barrier **220** is interconnected to attachment members **216**, such as poles, which are interconnected to the wall **200**. In accordance with an embodiment, the attachment members **216** comprise poles which extend 10 feet upwardly from the wall section **200**. Each pole may support a 6 lb. light head at the top which generates over 3,000 alums of light. The poles may additionally provide an attachment means for the visual barrier **220**. While attached to the poles, the visual barrier **220** extends approximately 4 feet upwardly from the protective wall **200**.

The visual barrier **220** provides an additional safety factor for the work zone **204**. Studies have shown that a major cause of highway traffic accidents in and around work zone areas is the tendency for drivers to “rubber-neck” or look into the work zone from a moving vehicle. In this regard, it is found that such behavior can lead to traffic accidents. In particular, the “rubber-necking” driver may veer out of his or her traffic lane and into the work zone, resulting in a work zone incursion. The present invention can provide a structurally rigid wall **200** that prevents incursion into the work zone **204**, as well as a visual barrier **220** which discourages this, so called, “rubber necking” behavior.

Studies have indicated that people are drawn to lights and distractions, and that they tend to steer and drive into what they are looking at. This is particularly hazardous for construction workers, especially where cones and other temporary barriers are being deployed on maintenance projects. Studies also indicate that lighting and equipment movement within a work zone are important factors in work site safety. Significant numbers of people are injured not only from errant vehicles entering the work zone, but also simply by movement of equipment within the work area. The trailer can be designed not only to keep passing traffic out of the work area, but also to reduce the amount of vehicles and equipment otherwise moving around within the work area.

In terms of lighting, research indicates more is better. Current lighting is often somewhat removed from the location where the work is actually taking place. Often, the lighting banks are on separate carts which themselves contribute to equipment traffic, congestion and accidents within the job site.

These competing considerations of motorists, at night, steering towards lights and roadside workmen being safer at night with more lighting can be satisfied by the trailer. The trailer can use the light heads **270** to provide substantial lighting where it is needed. If the work moves, the lighting moves with the work area, rather than the work area moving away from the lighting. Most importantly, the safety barrier—front, back and side—can move along too, providing simple but effective physical and visual barriers to passing traffic. Referring to FIGS. 2B and 2C, the light heads **270** positioned along the barrier **200** have a direction of illumination that is approximately perpendicular or normal to the direction of oncoming traffic. This configuration provides not only less glare to oncoming motorists but also less temptation for motorists to steer towards and into the barrier **200**.

FIGS. 2A-2C show the protective barrier **200** deployed for use in connection with a work-zone area. The design of the support members and the traffic facing portion of the protective barrier **200**, serve to provide a safe means for mitigating the effects of such a collision. In particular, the barrier **200** can re-direct the impacted moving car down the length of the protective wall **208**. Here, the moving car is not reflected back into traffic. Further incidents are prevented by not reflecting the moving car back from the mobile barrier into other cars, thereby enhancing safety not only of the driver of the vehicle colliding with the barrier but also of other drivers in the vicinity of the incident. The inherent rock/roll movement in the tractor **116** and trailer (caboose) springs and shocks assist dissipation of shock from vehicular impact. In addition, by deflecting the moving vehicle down the length of the protective wall **208**, the work zone **200** is prevented from sustaining an incursion by the moving vehicle, thereby enhancing safety of workers.

A number of factors are potentially important in maintaining this desirable effect. Firstly, the protective barrier **204** is maintained in a substantially vertical position. This is accomplished through a ballasting system and method in accordance with an embodiment. In particular, the wall sections **108** are balanced in a first step with the ballast boxes **112**. In a following step, a more precise balancing of the protective barrier **200** position is achieved through a system of movable pistons associated with the caboose **120**. This aspect of the invention is described in greater detail below. Second, the structural design of the wall sections **108** serve to provide optimal deflection of an incoming car. Finally as shown in FIG. 2B, the protective wall or barrier **200** is substantially planar and smooth (and substantially

11

free of projections) along its length to provide a relatively low coefficient of friction to an oncoming vehicle. As will be appreciated, projections can redirect the vehicle into the wall and interfere with the wall's ability to direct the vehicle in a direction substantially parallel to the wall.

Turning now to FIG. 3A, an individual wall section **108** is shown in perspective view from the traffic side of the wall section **108**. As can be seen in FIG. 3A, the wall section **108** includes a wall skin portion **300**, which faces the traffic side of the protective barrier **200** and is smooth to provide a relatively low coefficient of friction to a colliding vehicle. The wall skin **300** is adapted to distribute the force of the impact along a broad surface, thereby absorbing substantially the impact. As additionally can be seen in FIG. 3A, the wall section **108** includes a first end portion or wall end member **304a**. The first end portion **304a** includes a conduit box **308**, a number of bolt holes **312**, a protruding alignment member, which is shown as a large dowel **316a**, and an alignment receiving member, which is shown as a small dowel receiver hole **320a**. As will be appreciated, the alignment member can have any shape or length, depending on the application. The first end portion **304a** of the wall section **108** is adapted to be interconnected to a second end portion **304b** of an adjacent wall section **108** or platform **104**. A second end portion **304b** can be seen in FIG. 3B, which shows the opposite end **304b** of the wall section **108** shown in FIG. 3A, including a protruding small dowel **316b** and a large dowel receiver hole **320b**. For each wall section **108**, the large dowel **316a** disposed on the top of the first end portion **304a** is operatively associated with a large dowel receiver hole **320b** in the second end portion **304b** of an adjacent wall section **108** or platform **104**. Similarly, the small dowel **316b** on the second end portion **304b** is operatively associated with the small dowel receiver hole **320a** in the first end portion **304a** of an adjacent wall section **108** or platform **104**. Additionally, the wall sections **108** are interconnected through a screw-and-bolt connection using the bolt holes **312** associated with the wall ends **304**. The conduit box **308** is additionally aligned with an adjacent conduit box **308**, providing a means for allowing entry and pass-through of such components as electrical lines, air hoses, hydraulic lines, and the like.

In FIG. 3B, a portion of the wall skin **300** is not shown in order to reveal the interior of the wall section **108**. As can be appreciated, such a partial wall skin **300** is shown here for illustrative purposes. As can be seen in FIGS. 3B and 3C, the wall section **108** includes three bracing sections **324a-c** vertically spaced equidistant from one another. Each of the bracing sections **324** includes two opposing horizontal beams **328a-b**, with the free ends being connected to the adjacent wall end member **304a,b**. The two horizontal beams **328a-b** are interconnected with angled steel members **332** to form a truss-like structure. The wall section **108** includes three bracing sections: the first bracing section **324a** being at the top, the second bracing section **324b** being at the middle and the third bracing section **324c** being at the bottom. Additionally, the wall section **108** includes a number of full-height vertical wall sections **336a,b**, the wall end members **304a,b**, and a number of partial-height vertical wall sections **340a-c**. As shown in FIG. 3A, the full-height wall sections **336a,b** and partial-height wall sections **340a-c** alternate. Additionally, it can be seen that the angled steel members **332** intersect at points where the partial-height wall **340** or full height wall **336** section, as the case may be, meets the horizontal beam **328a,b**, which, on one side, faces the traffic side of the wall section **108**. Additionally, the wall section includes a fourth horizontal member **344**. Unlike the

12

structural members **328** and **336** which are preferably configured as rectangular steel beams, this fourth horizontal member **344** is configured as a steel C-channel beam. The C-channel is preferably positioned substantially at the height of a car or SUV bumper. In use, the bottom of the wall section **108** sits approximately eleven inches off of the ground, and the fourth horizontal member **344** sits approximately twenty inches off of the ground.

The wall sections **108** constructed as described and shown herein are specifically adapted to prevent gouging of the wall as a result of an impact from a moving car. In particular, gouging as used herein refers to piercing or tearing or otherwise drastic deformation of the wall section, which results in transfer of energy from a moving car into the mobile barrier **200**. As described herein, by deflecting the car down the length of the protective wall **200**, a desirable amount of energy is absorbed by the wall and therefore not transferred to other portions of the protective wall **200**. It is additionally noted that the floating king pin plate of the standard trailer **116** provides a shock absorbing effect for impacts which are received by the protective wall **200**. The shock absorbing effect of the trailer's **116** floating king pin plate **500** is complemented by fixed king pin plate associated with the caboose **120** (which is discussed below).

In accordance with an embodiment, the dimensions of the various trailer and wall components vary. By way of example, the length of each wall section **108** preferably ranges from about 10 to 30 feet in length, more preferably from about 15 to 25 feet in length, and more preferably from about 18 to 22 feet in length. The width of each of the wall sections preferably ranges from about 18 to 30 inches, more preferably from about 22 to 28 inches, and more preferably from about 23 to 25 inches. The height of each of the wall sections **108** preferably ranges from about 3 to 4.5 feet, more preferably from about 3.75 to 4.25 feet, and more preferably from about 3.9 to 4.1 feet. It should be noted that these height ranges and distances measure from the base of a wall section **108** to the top of the wall section **108** and do not include the wall section's height when it is displaced with respect to the ground. In use, the wall section **108** typically is disposed at a predetermined distance from the ground. In particular, this distance preferably ranges from about 10 to 14 inches, more preferably from about 11 to 13 inches, and more preferably from about 11.5 to 12.5 inches. In accordance with an embodiment, a wall section is approximately 20 feet long, 24 inches wide, 4 feet high as measured from the base of the wall section to the top of the wall section and, when deployed, disposed at a distance of 12 inches from the ground.

The beams **328a** and **328b** span the length of the entire wall section. In accordance with an embodiment, the horizontal beams **328a** and **328b** measure from about 3-5 inches by about 5-7 inches, more preferably from about 3.5 inches to 4.5 inches by 5.5 inches to 6.5 inches, and even more preferably are about 4 inches by 6 inches. In accordance with an embodiment, the longer dimension of the beam is disposed in the horizontal direction. For example, with 4.times.6 beams, the 4-inch dimension is disposed in the vertical direction and the 6-inch dimension in the horizontal direction. In this embodiment with three sets of horizontal beams, the bottom and middle beams are separated by about 18 inches and the middle and the top beams also by about 18 inches. In this configuration, the total height of the wall section is 4 feet. In other portions of the mobile barrier **200**, the orientations of the horizontal beams may differ. In particular, the longer 6 inch dimension may be in the vertical direction, and the shorter 4 inch dimension may be in the

horizontal direction. In accordance with an embodiment, this orientation for the horizontal beams is implemented in connection with the platforms **104**.

The wall skin **300** may be comprised of a single homogeneous piece of steel that is welded to the wall section **108**. The wall skin **300** is preferably between about 0.1 and 0.5 inch thick, more preferably between about 0.2 and 0.4 inch, and even more preferably approximately 0.25 inches thick. These dimensions are also applicable to the partial-height and full height wall members **340**, **336**. The wall end portions or plates **304b** and **304a** are preferably between about 0.25 and 1.25 inch thick, more preferably between about 0.5 and 1 inch thick, and even more preferably are about 0.75 inch thick.

In accordance with a preferred embodiment where the wall sections **108** are approximately 20 feet in length, a work space area **204** is defined when these wall sections are deployed that measures approximately 80 feet in length. In particular, the three wall sections total 60 feet in addition to 10 feet on each side of additional space provided by the interior portions of the platforms **104**.

Referring again to FIG. 3C, a wall section **108** may include a number of attaching devices, which provide a means for interconnecting various auxiliary components to the wall section **108**. In particular, a wall section **108** may include an attachment member mounting **348**, operable to mount an attachment member **216**, such as a pole. The attachment member mounting shown in FIG. 3C includes a lever which, through a quarter turn, is operable to lock the light pole in place. A pole may be used to mount a light in connection with using the wall barrier during night-time hours. As can be appreciated in such conditions, the work area will be required to be illuminated. Such illumination can be accomplished by light poles and corresponding lights which are mounted to the wall section. The light poles, lights and other auxiliary components may be stored in the storage compartments **124**.

The wall section **108** additionally may include attachments for jack stands **352**. The jack stands **352** provide a means for supporting the wall section **108** at the above-mentioned height of approximately eleven inches from the ground.

The wall section **108** may additionally include, so called, "glad hand boxes" (not shown), which provide means for accessing 12, 110, 120, 220, and/or 240 volt electricity. In accordance with the embodiments, the protective barrier **200** includes an electric generator and/or one or more batteries (which may be recharged by on-board solar panels) providing electricity which is accessible through the glad hand box and is additionally used in connection with other components of the protective barrier **200** described herein. The generator and/or the batteries may additionally be stored the storage compartments **124**, and the batteries used to start the generator and support electronics when the generator is turned off or is not operational.

The wall section **108** may be comprised of, or formed from, any suitable material which provides strength and rigidity to the wall section **108**. In accordance with embodiments, the beams of the wall section are made of steel and the outer skin of the wall section is made from sheets of steel. In accordance with alternative embodiments, the wall section **108** is made from carbon fiber composite material.

Referring now to FIG. 4A, a side perspective view of a platform **104** is shown. In FIG. 4A the platform is resting on a jack stand **352**. Additionally, the outline of the caboose **120** is shown in FIG. 4A. With the caboose **120** attached, the platform **104** shown in FIG. 4A would correspond to the rear

of the protective barrier **200** and/or the rear of the loaded trailer **100**. As can be seen in FIG. 4A, the platform includes a king pin **400**. The king pin **400** provides an interconnection between the platform **104** and the caboose **120**. The king pin **400** is disposed on the underside of the platform **104** in a position that allows the king pin **400** to connect with a standard floating king pin plate associated with a semi-tractor **116** or a fixed king pin plate associated with the caboose **120**. In this way, either the caboose **120** or the semi-tractor **116** may be connected to the platform **104** using the king pin **400**. A nose receiver **404** portion of the platform **104** provides a means for receiving the end, or nose portion of the caboose **120**. This aspect of the invention is described in greater detail below.

In FIG. 4B and FIG. 4C, two opposed platforms **104** are shown with a central external cover plate of the central portions of the platforms being removed to show the structural members while the ballast box external support plates are in position, in FIG. 4D, a platform is shown with all exterior cover plates removed, and in FIG. 4G a platform is shown with all external cover plates in position. As can be seen, the first end **408** of the platform **104** is wider than the second end **412** of the platform **104**. Here, the platform **104** includes support members **421** for supporting the king pin (not shown), a sloping plate **428** for receiving the nose portion of the caboose, a flat plate assembly **422** positioned above and supporting the jack stands **423**, and a sloped or narrowing section **416**, which slopes from the larger, first-end **408** width, to the smaller, second-end **412** width. This sloped portion **416** of the platforms **104** includes the storage compartment **124**. The two second-ends **412** of the platform **104** are adapted to be interconnected to each other. The two first-ends **408** of the platform **104** are adapted to interconnect to either the tractor **116** or the caboose **120**, as described above. As can be seen in FIG. 4D, the platform **104** includes two side channels **420a-b**. Typically, the channel **420a** proximate to the work zone is adapted to receive a ballast box **112**, both in the mobile and the deployed positions.

FIGS. 4D, 4E, and 4F further show the structural members of each of the platforms. The platforms are identically constructed but are mirror images of one another. The traffic-facing, or elongated, side **460** of the platform **104** includes upper, middle, and lower horizontal structural members **464**, **468**, and **472**. The upper, middle, and lower horizontal structural members are at the same heights as and similar dimensions to the upper, middle, and lower horizontal beams **328**, respectively. The members **464**, **468**, and **472**, unlike the beams **328**, are oriented with the long dimension vertical and the shorter dimension horizontal. By orienting the members differently from the beams, the need for a member similar to the fourth horizontal member **344** is obviated. The upper structural member **464** is part of an interconnected framework of interconnected members **476**, **480**, **484**, **488**, **490**, and **492** defining the upper level of the platform. Lateral structural members **494** provide structural support for the ballast boxes, depending on where they are positioned, and lateral members **496** provide further structural support for the upper level and for the king pin and other caboose interconnecting features discussed below. The first end of the lower structural member attaches to a corner member **497** and second ends of the upper and lower structural members to the second end member **498**. At the level of the lower structural member **472**, lower structural members **473**, **474**, **475**, and **477** define the lower level of the platform. Additional vertical and corner members **478**, **479**, and **481** attach the lower and upper levels of the platform and horizontal support member **483** interconnects corner

15

members 497 and 481 and vertical members 478 and 479. The lower level further includes lateral members 475 and elongated member 477 to provide further structural support for the lower level and provide support for the bottom of the storage compartment.

In FIGS. 4G and 4H, portions of the platform 104 are shown, which include the underside of a platform 104. As can be seen in FIG. 4E, the platform 104 includes a king pin 400 disposed substantially in alignment with a longitudinal axis 405 bisecting a space 407 defined by the nose receiver portion 404. The nose receiver portion 404 includes two angled components 424a,b as well as a downwardly facing deflection plate 428. FIG. 411 shows, in plan view, the components 424a,b, each of which includes a straight portion 409a,b and angled portion 411a,b. The space 407 between the angled portions is in substantial alignment with the king pin 400.

As the caboose 120 is backed into the space underneath the platform 104, the king pin 400 is received in a king pin receiver channel 524 (FIG. 5) in a fixed king pin plate on the caboose 120, and the nose of the caboose is received in the nose receiver 404 portion of the platform 104. The nose receiver portion 404, namely the angled portions of the components 424a,b and sloped deflection plate 428, guide the angled front-nose portion 520 (FIG. 5) of the caboose as the caboose is brought into position underneath the platform 104 to align the king pin with the king pin receiver channel 524 (FIG. 5). In particular, the two angled components 424 operate to provide lateral guidance for the position of the caboose 120. Here, the two angled components 424 ensure that the king pin 400 is received in the king pin receiver channel 524 associated with the caboose 120. The downwardly facing deflection plate 428 exerts a downward force on the nose 520 of the caboose that results in the rear of the caboose 120 raising up to engage the rear of the platform 104. The interconnection between the caboose 120 and the rear of the platform 104 is described in greater detail below.

In FIG. 5A, a side perspective view of the caboose 120 is shown. As shown in FIG. 5A, the caboose 120 includes the fixed king pin plate 500. The king pin plate 500 includes a king pin receiver channel 524 provided at the end of the plate 500. This pin receiver channel 524 is adapted to receive the king pin 400 and provides a locking mechanism for locking the caboose 120 to the end of the platform 104. In addition, the caboose 104 includes a vertical adjustment member, which is shown as movable pneumatically or hydraulically actuated piston 508 (as can be seen in FIG. 4A), disposed on each side between the two wheels of the caboose 120. Although a piston is shown, it is to be understood that any suitable adjustment member may be used, such as a mechanical lifting device (e.g., a jack or crank). The movable piston 508 is associated with a piston cylinder and is interconnected to a top 512 portion and a bottom portion 516 of the caboose 120. The bottom portion 516 provides a mounting for the wheel axles as well as the wheel suspension. The movable piston 508, as described in greater detail below, is operable to be inflated, thereby adjusting the height of the selected, adjacent side of mobile barrier 200. More specifically, the movable piston 508 moves the caboose 120 off of its suspension or leaf springs.

In FIG. 5A, a side perspective view of the caboose 120 is shown. As can be seen in FIG. 5B, the fixed king pin plate 500 includes the king pin receiver channel 524. The king pin receiver channel 524 includes a front, wide portion 528, which leads into a rear, narrow portion 532, as this king pin receiver channel 524 allows the caboose 120 to be posi-

16

tioned properly while the caboose is being backed into and underneath the platform 104. In this regard, the nose 520 of the caboose 120 is additionally received in the nose receiver portion 404, disposed on the underside of the platform 104.

This aspect of the present invention is described in greater detail below.

Referring now to FIG. 5B, an additional side perspective view of the caboose 120 is shown. In FIG. 5B, the king pin plate 500 is shown removed from the caboose 120. As can be seen in FIG. 5B, underneath the king pin plate 500, the caboose 120 includes a number of air cylinders 536. These air cylinders 536 are associated with a standard ABS braking system and operate independently of the braking system of the tractor 116. As described in greater detail below, the air cylinders 536 can be locked by an auxiliary mechanism associated with the caboose 120 to hold the caboose 120 in place. The auxiliary mechanism may be adjusted to allow the brakes to be engaged and the caboose 120 held in place even if the caboose 120 is disconnected from the platform 104. This mechanism additionally provides a means for inflating and deflating the movable piston 508 disposed on either side of the caboose 120.

FIGS. 5A, 5B, and 8 depict the removable attachment mechanism between the caboose and the platform. The caboose includes permanently attached first and second pairs 580a,b of opposing attachment members 584a,b. Each attachment member 584a,b in the pair 580a,b has matching and aligned holes extending through each attachment member. In FIG. 8, first and second pairs 804a,b of attachment members 808a,b are permanently attached to the platform. Each attachment member 808a,b in the pair includes matching and aligned holes extending through the attachment member 808. When the caboose is in proper position relative to the platform, the holes in the attachment members 584a,b and 808a,b are aligned, and removably receive a pin 802 having a cotter pin or key 810 to lock the dowel 802 in position in the aligned holes of each set of engaged pairs of attachment members 580 and 804.

An embodiment includes a truck mounted crash attenuator, or equivalently, a Truck Mounted Attenuator (TMA). Referring again to FIG. 1A, a truck mounted attenuator 136 is shown interconnected to the trailer 100 at the caboose 120. In FIG. 1A, the truck mounted attenuator 136 is shown in a retracted position. The truck mounted attenuator 136 includes a first portion 140 and a second portion 144. In the retracted position, the first portion 140 is positioned substantially vertically and supports the weight of the second portion 144, which is held in a substantially horizontal position over the caboose 120. A movable electronic billboard 148 and light bar 150 (which can provide a selected message to oncoming traffic) is located underneath the second portion 144 of the truck mounted attenuator 136.

The deployment of the truck mounted attenuator 136 and the electronic billboard and light bar 148 is illustrated in FIGS. 6A-6G. As shown in FIG. 6A through FIG. 6F, the truck mounted attenuator 136 is extended and lowered into a position wherein both the first portion 140 and the second portion 144 are substantially horizontal and proximate to the ground. As shown in FIG. 6G, the electronic billboard 148 and light bar 150 are then raised. Referring to FIG. 7, the TMA 136 is typically bolted by a bracket 700 to the caboose 120. The TMA is thus readily removable simply by unbolting the TMA from the vertical plate of the bracket 700. Additionally, the bracket 700 and associated components provide a means for attaching the electronic billboard 148 and light bar 150 to the caboose 120. The bracket 700 is mounted to provide a desirable height for the truck mounted

17

attenuator in its deployed position, more specifically, approximately ten to eleven inches off of the ground. The bracket 700 is additionally mounted to provide visibility of the caboose brake lights and other warning lights associated with the trailer 100. In FIG. 1C, a rear view of the loaded trailer 100 is illustrated. As shown herein, the truck mounted attenuator 136 is raised into its tracked position. As can be seen, the brake lights 152 of the caboose 120 are visible underneath the truck mounted attenuator 136. A beacon 156 is also visible, despite the presence of the truck mounted attenuator 136. The beacon 156 provides a visual indication of an end portion of the trailer 100. As with the caboose 120, the truck mounted attenuator 136 may be associated with either of the two platforms 104 and thereafter either end of the trailer.

Turning now to FIG. 8, a forced air system 800 in accordance with an embodiment is shown. The forced air system 800 includes two lever attenuators 804 operable to lock the brakes of the caboose 120 independently of the brakes of the tractor 116. As used herein, locking the brakes includes disconnecting or disabling the automatic brake system, typically associated with the caboose 120. Here, the brakes are forced into a locked position, thereby locking or preventing movement of the caboose 120. Also shown in FIG. 8 is a knob 808 operable to control the inflation and/or deflation of the moveable pistons 508. As described above, the pistons 508 are used to provide a finer grade vertical adjustment of the balancing of the protective barrier 200 by vertically lifting or lowering a selected side of the caboose and interconnected platform. In other words, inflating the piston on a first side of the caboose lifts the first side of the platform relative to the second side of the platform and vice versa. In accordance with embodiments, the air provided to the pistons 508 is delivered from an air supply associated with the trailer 116 and not from an air compressor.

The interconnection between the platform 104 and the king pin plate 500 is illustrated in FIG. 8. A removable pin interconnects the platform to the caboose. The pin is removable, and may be locked in place with attachment member 802.

Turning now to FIG. 9, a loaded trailer 100 is shown from the work area-side of the trailer 100. As shown herein, the wall sections 108 are loaded on top of the platforms 104 and the platforms 104 are interconnected. As described above, this loaded position corresponds to an arrangement of the various components, which can be used to transport the entire system. As shown in FIG. 9, the platform includes a storage compartment. Various auxiliary components described herein are stored in this storage compartment 124. As can be seen in FIG. 9, such components, as the light poles 900, the corresponding lights themselves 904, the visual barrier 220, as well as various electrical components, are shown inside of the compartment. For example, FIG. 9 includes an onboard computer 908 and a generator 912. In this configuration or in the deployed configuration, various lines 916, such as electrical lines or air lines, may run along the length of a wall section 108 through the various adjacent conduit boxes 308.

Referring now to FIG. 10, a flow chart is shown which illustrates the steps in a method of deploying a mobile barrier in accordance with an embodiment. Initially at step 1004, the trailer arrives at a worksite. At step 1008, the wall sections 108 are unloaded from the trailer bed. This may be done with the use of cranes, a fork lift, and/or other heavy equipment operable to remove and manipulate the weight associated with the wall sections 108. At step 1012, the platforms 104 are disconnected from each other. More

18

particularly, the bolt connections that interconnect the platforms 104 are removed. At step 1016, the platforms 104 are separated. Here, the brakes of the caboose 120 may be locked and the disconnected platform portion of the trailer 116 attached to the tractor 116 may be driven away from the location of the caboose 120 and its attached platform. A dolly or castor wheel may be connected to the end of the platform 104 to provide mobility for the portion of the platform 104 attached to the tractor 116, thereby allowing the platform to move into position to be engaged with the end wall section. Alternatively, a first platform connected to the tractor 116 is positioned at the desired location before disconnection of the platforms. Jacks attached to the first platform are lowered into position with the roadway. The platforms are then disconnected, with the second platform being supported by the caboose. A forklift or other vehicle is used to move the second platform into position for connection with the wall sections. In any event at step 1020, the platforms 104 and wall sections 108 are interconnected to form a protective barrier 200. At this point a continuous protective barrier 200 is formed from the various components of the trailer. Next, a number of steps or operations may be employed. At step 1024, it may be determined that the protective barrier 200 must be balanced. More particularly, the weight of the protective barrier 200 must be adjusted such that the protective barrier 200 wall comes into a substantially vertical alignment. If no balancing of the protective barrier 200 is needed, work may be commenced within the protected area 204 of the protective wall 200. At step 1028, it may be determined that the direction or orientation of the protective barrier 200 may need to be changed. This may be done by jacking the second platform, disconnecting the caboose, and reversing the positions of the tractor 116 and caboose 120. Alternatively, the jack stands may be retracted and the truck, while the wall sections are deployed, driven, while attached to the barrier, to a new location. At step 1032, work may be completed and the protective barrier 200 may then be disassembled for transport.

Turning now to FIG. 11, a method of balancing a protective barrier 200 (step 1024) is illustrated. This method assumes that the ballast boxes are not adequate to counter-balance completely the deployed barrier. At step 1104, the protective barrier 200 or wall is inspected to determine whether or not the wall is disposed at a substantially vertical orientation. This can be done using a manual or automatic level detection device. If at decision 1108 the wall is substantially vertical, step 1112 follows. At step 1112 the process may end. If at decision 1108, it is determined that the wall is not substantially vertical, step 1116 follows. At step 1116, one or more of the piston cylinders 508 are inflated or deflated to provide a counter balance to the weight of the protective barrier 200 and desired barrier 200 orientation.

FIG. 12 illustrates a method of changing directions for the protective barrier 200. Initially, at step 1204, the caboose-engaging platform is placed on jack stands and thereafter the caboose is disconnected from the platform to which it is attached. At step 1208, the caboose is towed out from underneath the platform 104. Here, the caboose 120 may be connected to or otherwise attached to a tractor, forklift, or pickup truck, which is operable to tow the caboose 120. At step 1220, the tractor-engaging platform is placed on jack stands and the tractor 116 is disconnected from the platform 104 to which it is attached. At step 1216, the tractor 116 is driven out from underneath the platform 104. At step 1220, the positions of the caboose 120 and tractor 116 are interchanged. At 1224, the caboose 120 is positioned underneath

19

and connected to the platform **104** to which the tractor **104** was formally attached. As described above, this includes a nose receiver portion **404**, providing guidance to the caboose **120** in order to guide the king pin **400** into the king pin receiver channel **532** associated with the king pin plate. At step **1228**, the tractor **116** is positioned with respect to and connected to the platform **104** to which the caboose **120** was formally attached.

Referring now to FIG. **13**, a method of loading a trailer in accordance with embodiments is illustrated. Initially at step **1304**, the platforms **104** and wall sections **108** are placed on jack stands and disconnected from one another. This includes removing the bolt connections which interconnect the opposing faces of the platforms **104** and/or wall sections **108**. At step **1308**, the platforms **104** are brought together. As described above, this includes interconnecting a castor or dolly wheel to at least one platform end and driving the platform **104** in the direction of the opposing platform. Alternatively, the platform engaging the caboose is taken off of its jack stands and maneuvered by a vehicle to mate with the other, stationary platform. At step **1312**, the platforms **104** are interconnected by such means as bolting the platforms together. At step **1316**, the wall sections **108** are loaded onto the truck bed. Because the ballast boxes typically do not counter-balance precisely the loaded wall sections and vice versa, the piston cylinders **508** are inflated or deflated, as desired, to provide a level ride of the trailer. Finally, at step **1320**, the trailer **100** departs from the worksite. In one configuration, castor or dolly wheels may be put on each of the two platforms so that, when they are disconnected from end wall sections of the barrier, the first and second platforms may be moved into engagement with and connected to one another. The wall sections may then be disconnected from one another and loaded onto the connected platforms.

The above discussion relates to a mobile barrier in accordance with an embodiment that includes a number of interconnectable wall sections, which are, in one configuration placed on the surface of a truck bed. In a second configuration, these wall sections are removed from the truck bed and interconnected with portions of the trailer to form a protective barrier. In this way, a fixed wall is formed that provides protection for a work area. The present invention can provide a non-rotating wall that is deployed to form the protective barrier. Alternative embodiments of a fixed wall mobile barrier are illustrated in FIGS. **14A-C** and FIGS. **15A-C**.

FIGS. **14A-C** illustrate a "sandwich" type extendable protective wall. As shown in FIG. **14A**, the mobile barrier **1400** includes two platforms **104** and three interconnected wall sections **1404a**, **1404b** and **1404c**. FIG. **14A** illustrates a contracted or retracted position wherein the wall sections **1404a-c** are disposed adjacent to one another in a "sandwich position". FIG. **14B** illustrates an intermediate step in the deployment of the mobile barrier **1400**. Here, the platforms **104** are moved away from each other and the sandwiched wall sections extended. From this intermediate position, the sections **1404a** and **1404c** move forward to a position adjacent to the forward position of the wall section **1404a**. In accordance with embodiments, the wall sections **1404a-c** are disposed on sliding rails which allow the displacement shown in FIG. **14B-C**. Additionally between wall sections **1404a** and **1404b** (similarly **1404b** and **1404c**) an articulating mechanism is provided, which allows motion between the adjacent wall sections. FIG. **14C** shows the final position of the mobile barrier **1400**. Here, the various wall sections

20

1404a-c and the platforms **104** provide a continuous mobile barrier included a protected work space.

FIGS. **15A-15C** illustrate a telescoping type protective wall system **1500**. FIG. **15A** shows a retracted, or closed, position of the protective barrier **1500**. The protective barrier includes opposing platforms **104**. The protective barrier in this embodiment includes two wall sections, the first wall section **1504** encloses the second wall section **1508** in the contracted position shown in FIG. **15A**. In the intermediate position shown in FIG. **15B**, the second wall section **1508** is extended outward from the first wall section **1504** in a telescopic manner. In the final position shown in FIG. **15C**, the second wall section **1508** moves forward to a position adjacent to the first wall section **1504**. In the final position shown in FIG. **15C**, the first wall section **1504**, second wall section **1508** and portions of the two platforms **104** form a continuous protective barrier including protective interior space.

FIGS. **26-27** are directed to an embodiment in which the trailer is raised or lowered by inflating and deflating a bag (such as the first and second sets of air bags above) operatively engaged with each axle. This has the practical effect of raising and lowering, respectively, the height of the first and second platforms and intervening wall sections **108**. This is shown in FIGS. **26-27**. In FIG. **26**, the wall section **108** is raised from the travel surface **1908** and in FIG. **27** the wall section **108** is lowered into contact with the travel surface **1908**.

FIG. **28** is directed to an embodiment in which lower extension panels **2800** are positioned below the wall section **108** and translated or rotated into position. This configuration is particularly useful in military, riot control, and terrorism prevention operations.

In one configuration, FIG. **29** shows the extension panel **2800** rotating (around a hinge member **2808**) into position from a position on a first side **2804** of the wall section **108**.

In one configuration, FIG. **30** shows the extension panel **2800** sliding into position from an interior location between the opposing wall skins **2804** and **2812** of the wall section **108**.

In one configuration, FIG. **31** shows the extension panel **2800** sliding into position from a second side **2812** of the wall section **108**.

In another embodiment shown in FIG. **35**, upper extension panels **3200** are positioned above the wall section **108** and translated or rotated into position.

In one configuration, FIG. **32** shows the extension panel **3200** rotating (around a hinge member **3208**) into position from a position on a first side **3204** of the wall section **108**.

In one configuration, FIG. **33** shows the extension panel **3200** sliding into position from an interior location between the opposing wall skins **3204** and **3212** of the wall section **108**.

In one configuration, FIG. **34** shows the extension panel **3200** sliding into position from a second side **3212** of the wall section **108**.

In any of the above configurations, the outer wall skin (item **300** in FIGS. **3A** and **3B**) of the wall sections and/or the panels are fabricated out of material resistant to the selected type of incursion. For example, for bullets and other ordinance the wall skins and/or panels are fabricated out of a penetration or explosive resistant material, such as Kevlar™, steel, solid or spaced armor, composite armor (e.g., Chobham armor, and other types of armor having layers of different materials such as metals, plastics, ceramics, and/or air), high impact carbon fiber, and the like. By way or example and not limitation, bullet and/or blast proof wall

sections can be provided via one or more means, such as special materials used for outer steel plate, including, but not limited to, special high strength steel, tungsten, ceramic, carbon fiber. In other examples, the wall sections include layering of multiple outer steel plates, e.g., a common set of holes with the dowel on the outer plate extending through the middle plates and securely into the trailer frame structure. (See FIGS. 3A-3B and 4A-4H). In another example, the wall skins are reinforced by Kevlar™, ceramics, concrete and/or other materials.

In a similar fashion, the interiorly facing wall skins and panels are fabricated out of an incursion resistant material, such as those set forth above. This is so because the wall section(s) enclose a work area that may contain, for example, unexploded military or civilian ordinance, a terrorist bomb, a mine or mine field, an improvised explosive device, and the like. The same can be installed in various ways including but not limited to mounting one or more materials inside the wall sections behind the wall skins (e.g., the outer plate or is sometimes called the "outer skin") or by sandwiching the material between opposing layers of the outer skin, or any combination thereof.

As will be appreciated, the trailer can be used for numerous applications, including military and civilian (law enforcement).

In other embodiments, other modifications can be made to the trailer. The wall sections can be strengthened by various means, including, but one limited to, one or more of the following:

(a) Making the end plates or end members **304** of stronger or thicker material.

(b) Making the end plates or end members **304** larger (e.g., wider and/or higher) for use with more and/or larger dowels **316** and/or bolts (e.g., another set of dowels and bolts can be added to the wall section of FIGS. 3A and 3B if the width of the wall section **108** is increased by 50%).

(c) Gusseting the end plates or end members **304** to the main beam structure, especially to the internal main beams **324**, **328**, **332**, and/or **344** (FIG. 3B).

In other embodiments, the wall sections are heightened by building the wall sections physically higher (e.g., a preferred height of at least about 4.1 feet, more preferably of at least about 4.25 feet, and even more preferably at least about 4.5 feet).

In other embodiments, upper extension panels are attached or incorporated within the wall sections and are deployed in a similar manner to the lower extension panels discussed above. For example, the upper extension panels can be rotated (e.g., flipped up) or translated (e.g., slid) into position on top of the wall similar to that described above for the lower panels.

In other embodiments, the first or second platforms includes one or more stationary or rotating turrets, with bullet/blast proofed enclosures, large or small caliber guns, attachments for cameras, mine clearing or detecting devices, and other on-site and remotely viewable and/or controllable equipment.

In other embodiments, the trailer is constructed wider to allow the tractor and/or caboose to steer while still enclosed/protected by the deployed wall sections. In other words, the trailer or caboose, either when positioned behind or between the first and second platforms, can push the trailer forward to detonate mines, improvised explosive devices, and the like.

In other embodiments, the trailer stands **290** automatically drop and/or raise jacks via air, hydraulics, electrical or other mechanical means.

In other embodiments, the trailer is double sided in that it has protective wall sections deployed on both sides of the trailer (or first and second platforms) with the protected area/work area being positioned in the center. In this configuration, the wall sections protect the fully enclosed interior from being hit from either side while still providing an internally protected area. In one configuration, a specially modified tractor pushes the deployed trailer and simultaneously the trailer is steered by the caboose. While used in this configuration, this would provide an open vertical space for dissemination of a blast from a roadside bomb.

In other embodiments, the caboose has a steering mechanism capable of operating as either back or front of trailer; that is, the caboose steers from the trailer rear or with a specially modified tractor operating in reverse and pushing the trailer. The caboose steering can operate as front steering (in bi-directional steering, with the ability to remove the entire steering apparatus (caboose) from one of the first and second platforms and moved to the other of the first and second platforms when, for example, it is damaged by a roadside bomb or when a different configuration is desired.

In other embodiments, an electrical or other engine is added to the caboose to enable the caboose to be self-propelled (i.e., to be rolled out from under one of the first and second platforms and/or moved to the other of the first and second platforms under its own power). Battery packs in the caboose can support an electrical engine to power the caboose for a limited time.

A number of alternative caboose embodiments will now be discussed.

Referring to FIG. 16, the caboose **1600** has one or more steerable or articulating axles **1604a,b** or wheels **1608a-d** to avoid a selected area **1612**, such as a work area containing wet concrete. The wheels **1608a-d** are turned to a desired orientation, which is out of alignment with the tractor **116** tires, so that, when the trailer is pulled forward by the tractor **116**, the trailer moves both forward and laterally out of alignment with the path of movement of the tractor **116**. This may be effected in many ways. In one configuration, steering arms (not shown) are attached to the axles **1604**, and the arms are controlled by electrically operated hydraulic cylinders incorporated into the caboose frame assembly. The caboose axles are turned out when pulling ahead to more quickly move the rear of the trailer out and away from the area **1612**. Once the tractor and trailer are out of alignment with the area **1612**, the axles are returned, such as by the hydraulics, to their original positions in alignment with the tractor wheels. The electronics controlling the hydraulics are controlled from the tractor cab or a special switch assembly located in the caboose or on the trailer near the caboose. Alternatively, the axles or wheels may be steered manually, such as by a steering wheel mounted on the platform or caboose. The nose portion of the caboose remains stationary in the members **404a,b**, or the caboose does not rotate about the kingpin but remains aligned with the longitudinal axis of the trailer throughout the above sequence.

Referring to FIG. 17, the caboose **1700** articulates or rotates about the king pin **400**. One or more electrically driven hydraulic cylinders at the front of the caboose laterally displaces the nose **1704** in a desired orientation relative to the longitudinal axis of the trailer. When the caboose is rotated to place the wheels **1708a-d** in a desired orientation, which is out of alignment with the tractor **116** tires, the tractor pulls the trailer forward. The trailer moves both forward and laterally out of alignment with the path of movement of the tractor **116**. The hydraulics then push the nose of the caboose to the aligned, or normal, orientation in

which the wheels of the caboose are in alignment with the wheels of the tractor. The hydraulic cylinder(s) can be connected directly to a front pivot (not shown) or incorporated into the nose portion of the current “V” wedge assembly, which includes the members **404a,b**. In the latter design, the members **404a,b** are mounted on a movable plate, and the hydraulic cylinder(s) move the plate to a desired position while the nose portion **1704** is engaged by, or sandwiched between, the members **404a,b**. Unlike the prior caboose embodiment, the caboose rotates about the kingpin and does not remain aligned with the longitudinal axis of the trailer throughout the above sequence.

Referring to FIG. **18**, the caboose **1800** has an elongated frame with articulated steering on one or more axles **1804a-c**, with the rear axle **1804a** being preferred. When only the rear axle is steerable, the axle **1804a** is steered, as noted above, to place the wheels **1808a,b** in the desired orientation. After the caboose is rotated to place the wheels **1808a,b** in a desired orientation, which is out of alignment with the tractor **116** tires, the tractor pulls the trailer forward. The trailer rotates about the king pin **400** and moves both forward and laterally out of alignment with the path of movement of the tractor **116**. The wheels **1808** are then moved back into alignment with the wheels of the tractor. Like the prior embodiment, the caboose rotates about the kingpin and does not remain aligned with the longitudinal axis of the trailer throughout the above sequence. To make this possible, the nose portion of the caboose may need to be removed from engagement with the members **404a,b**, such as by moving a movable plate, to which the members are attached, away from the nose portion.

Referring to FIGS. **19** and **25**, a steerable caboose **1900** is provided. The caboose **1900** has tandem axle wheels **1904a-d**. A first set of wheels **1904a-b** is moved upwards and downwards, such as by one or more hydraulic cylinder(s) (not shown) in contact with the axle connecting the wheels **1904a-b** or by pressurizing and depressurizing an axel bag (not shown) in contact with the axle, out of and into alignment with a travel surface **1908**, such as a roadway. When raised relative to the surface or when the caboose is in steering mode, the second set of wheels **1904c-d** is steerable to position the first and second platforms and intervening wall in the desired orientation and/or position. This configuration is shown in FIG. **19**. When the first and second platforms and intervening wall are in the desired orientation and/or position, the first set of wheels **1904a-b** and connecting axle are lowered to engage the first set of wheels with the travel surface **1908** and place the caboose in the travel mode. In this mode, the second set of wheels is not steerable and the caboose behaves like a tandem axled trailer with no rear steering. The first set of wheels **1904a-b** can be the front or rear wheels and the second set of wheels **1900c-d** can be the other of the front or rear wheels.

One configuration to implement the steerable caboose **1900** is shown in FIGS. **20-25**. The steerable caboose **2000** includes a first steerable axle assembly **2002** and a second nonsteerable axle assembly **2004**. The first axle assembly **2002** includes a first axle **2003**, first and second hydraulic cylinders **2004a-b**, first and second front hinges **2008a-b** and first and second rear hinges **2012a-b** (which collectively permit the left and right wheels **1904c-d** to move synchronously and rotatably relative to the fixed first axle **2003**, and a tie rod **2014**, which is engaged mechanically with the first and second front hinges **2008a-b** and first and second rear hinges **2012a,b** and first and second hydraulic cylinders **2016a,b** to hydraulically steer the left and right wheels **1904c-d**. The tie rod **2014** locks into a lock position when in

the nonsteering or travel mode and unlocks from the lock position when in the steering mode. The lock/unlock mechanism can be any suitable mechanism, such as a notch and engaging locking member or tab mechanism, a tongue and groove mechanism, and the like. The second axle assembly **2004** includes a second set of air bags **2034a,b** to raise and lower a rear axle **2038**, thereby elevating the first set of wheels **1904a-b** above the travel surface **1908**, and a pair of leaf springs **1044a-b** that elastically deform to permit the rear axle **2038** to be raised and lowered in response to deflation and inflation of the second set of air bags **2034a,b**, respectively. A first set of air bags **2020a,b** and the second set of air bags **2034a,b** collectively, by inflation and deflation, raise and lower, respectively, the rear trailer and thereby permits the wall sections and wall to be positioned at the desired height and orientation to resist vehicular collisions and adjust overall ride and balance.

In operation, the operator, by the remote control unit **2300**, selects “unlock/lock” activator **2304**, which causes the tie rod **2014** to be placed in the unlocked position. The operator then selects the “raise” activator **2308** to deflate the second set of air bags and raise the rear axle. Next, the operator selects the “left” and “right” activators **2312** and **2316** to move, or rotate, the second set of wheels **1904c-d** to the left and right, respectively, and thereby steer the caboose, by activation of the hydraulic cylinders, to the selected position. When the caboose is in the selected position, the operator selects the “unlock/lock” activator **2304** to return the tie rod and second set of wheels **1904c-d** to the locked position. The operator then selects the “lower” activator **2320** to lower the rear axle **2038** to the locked position in contact with the travel surface. The “override” activator **2324** overrides and interrupts the execution of any operation. The “power” activator **2328** turns the remote control unit on and off. Finally the battery icon **2342** indicates the battery power in the remote, and the signal strength icon **2346** indicates the signal strength between the remote control and a wireless control unit (not shown) in the caboose.

The use of only one of the tandem axles to steer can have advantages. For example, it can reduce the incremental cost and complexity compared with a trailer configuration having two steerable tandem axles. To comply with limited space and separate requirements to maintain a relatively fixed ride height for crash purposes, the axles do not pivot; that is, the wheels themselves pivot right or left.

In another embodiment, the caboose is motorized independently of the tractor. An engine is incorporated directly into the caboose to provide self-movement and power. In one configuration made possible by this embodiment, the platforms could engage simultaneously two cabooses with a TMA positioned on each caboose to provide crash attenuation at both ends of the trailer. One or both of the cabooses is motorized. This is particularly useful where the trailer may be on site for longer periods and needs only nominal movement from time-to-time, such as at gates, for spot inspection stations, or for security and/or military applications where unmanned and/or more protected movement is desired.

In other embodiments, the caboose is attached permanently to the platform. In this embodiment, different tractor/trailers, that are mirror images of one another, are used to handle roadside work areas at either side of a roadway.

The present invention, in various embodiments, includes components, methods, processes, systems and/or apparatus substantially as depicted and described herein, including various embodiments, sub combinations, and subsets thereof. Those of skill in the art will understand how to make

25

and use the present invention after understanding the present disclosure. The present invention, in various embodiments, includes providing devices and processes in the absence of items not depicted and/or described herein or in various embodiments hereof, including in the absence of such items as may have been used in previous devices or processes, e.g., for improving performance, achieving ease and/or reducing cost of implementation.

The foregoing discussion of the invention has been presented for purposes of illustration and description. The foregoing is not intended to limit the invention to the form or forms disclosed herein. In the foregoing Detailed Description for example, various features of the invention are grouped together in one or more embodiments for the purpose of streamlining the disclosure. This method of disclosure is not to be interpreted as reflecting an intention that the claimed invention requires more features than are expressly recited in each claim. Rather, as the following claims reflect, inventive aspects lie in less than all features of a single foregoing disclosed embodiment. Thus, the following claims are hereby incorporated into this Detailed Description, with each claim standing on its own as a separate preferred embodiment of the invention.

Moreover, though the description of the invention has included description of one or more embodiments and certain variations and modifications, other variations and modifications are within the scope of the invention, e.g., as may be within the skill and knowledge of those in the art, after understanding the present disclosure. It is intended to obtain rights which include alternative embodiments to the extent permitted, including alternate, interchangeable and/or equivalent structures, functions, ranges or steps to those claimed, whether or not such alternate, interchangeable and/or equivalent structures, functions, ranges or steps are disclosed herein, and without intending to publicly dedicate any patentable subject matter.

The invention claimed is:

1. A mobile barrier for use in military, riot control, and terrorism prevention operations comprising:

- (a) first and second platforms, each of said first and second platforms having either at least one set of wheels or a kingpin;
- (b) a plurality of interconnected wall sections positioned between and connected to the first and second platforms, the plurality of wall sections defining a protected work area on a side of the trailer, wherein an outer wall skin and an interior armor layer of the wall sections is fabricated out of a penetration or explosive resistant material, selected from the group comprising: Kevlar, steel, solid armor, spaced armor, composite armor, high impact carbon fiber, special high strength steel, tungsten ceramic and concrete;
- (c) wherein each wall section has at least one of the following features:
 - (c1) the wall section further comprise an upper wall extension that increases a height of the well section; or
 - (c2) the wall section further comprises a lower wall extension that occupies at least part of a gap between a bottom of the wall section and a travel surface.

2. The mobile barrier of claim 1, wherein the wall section comprises an upper wall extension and said upper wall extension rotates around a hinge member into position from a position on a first side of the wall.

3. The mobile barrier of claim 1, wherein the wall section comprises a lower wall extension and said lower wall extension rotates around a hinge member into position from a position on a first side of the wall.

26

4. The mobile barrier of claim 1 wherein the wall section comprises an upper wall extension and said upper wall extension slides into position.

5. The mobile barrier of claim 1 wherein the wall section comprises a lower wall extension and said lower wall extension slides into position.

6. The mobile barrier of claim 1 wherein the wall sections are strengthened by means selected from the group comprising: making end plates of stronger material, making the end plates of thicker material, making the end plates larger for use with more and/or larger dowels and/or bolts, gusseting the end plates to a main beam structure of the wall sections.

7. The mobile barrier of claim 1 wherein the wall sections are a preferred height of at least about 4.1 feet, more preferably of at least about 4.25 feet, and even more preferably at least about 4.5 feet.

8. The mobile barrier of claim 1 wherein the first or second platforms includes one or more features selected from the group comprising stationary turrets, rotating turrets, bullet/blast proofed enclosures, large caliber guns, small caliber guns, attachments for cameras, mine clearing devices, mine detecting devices, and other on-site, and remotely viewable and/or controllable equipment.

9. The mobile barrier of claim 1 wherein the barrier further comprises trailer stands that automatically raise and/or lower via air, hydraulics, electrical or other mechanical means.

10. The mobile barrier of claim 1 wherein the barrier has protective wall sections deployed on both sides of the first and second platforms with a fully enclosed protected work area being positioned in the center.

11. A mobile barrier for use in military, riot control, and terrorism prevention operations comprising:

- (a) first and second platforms;
- (b) a plurality of interconnected wall sections positioned between and connected to the first and second platforms, the plurality of wall sections defining a protected work area on a side of the trailer, wherein an outer wall skin and an interior armor layer of the wall sections is fabricated out of a penetration or explosive resistant material, selected from the group comprising: Kevlar, steel, solid armor, spaced armor, composite armor, high impact carbon fiber, special high strength steel, tungsten, ceramic and concrete;
- (c) wherein each wall section has at least one of the following features:
 - (c1) the wall section further comprises an upper wall extension that increases a height of the wall section; or
 - (c2) wall section further comprises a lower wall extension that occupies least part of a gap between, a bottom of the wall section and a travel surface; and
 wherein the wall sections include layering of multiple steel plates and a common set of holes with a dowel on an outer plate extending through a middle plate and securely into a trailer frame structure.

12. A mobile barrier for use in military, riot control, and terrorism prevention operations comprising:

- (a) first and, second platforms;
- (b) a plurality of interconnected wall sections positioned between and connected to the first and second platforms, the plurality of wall sections defining, a protected work area on a side of the trailer, wherein an outer wall skin and an interior armor layer of the wall sections is fabricated out of a penetration or explosive resistant material, selected from the group comprising: Kevlar, steel, solid armor, spaced armor, composite

armor, high impact carbon fiber, special high strength steel, tungsten, ceramic and concrete;

(c) wherein each wall section has at least one of the following features:

(c1) wall section further comprises an upper wall extension that increases a height of the wall section; or

(c2) the wall section further comprises a lower wall extension that occupies at least part of a gap between a bottom of the wall section and a travel surface; and

wherein the barrier is wide enough to allow a tractor and/or a caboose to steer while enclosed by the deployed wall sections.

* * * * *